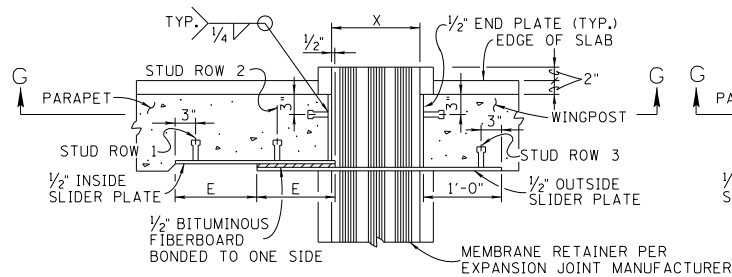
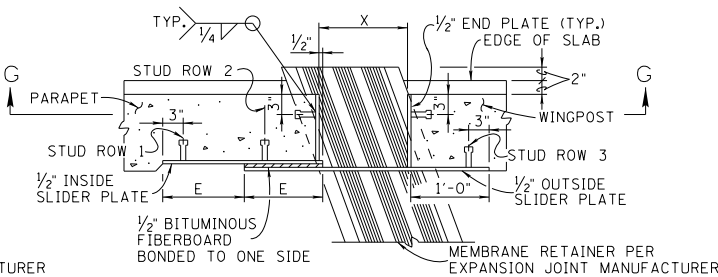


PLAN VIEW OF PARAPET

E DENOTES: ONE HALF OF THE TOTAL EXPANSION JOINT MOVEMENT PLUS (+) THREE (3) INCHES, AT MID TEMPERATURE.
IF E IS LESS THAN 6 1/2" OMIT STUD ROW 2
X DENOTES: EXPANSION JOINT + 1"

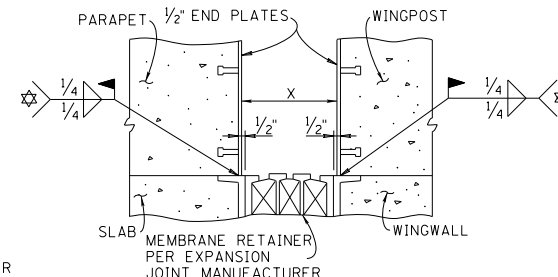


SECTION A - A



SECTION A - A

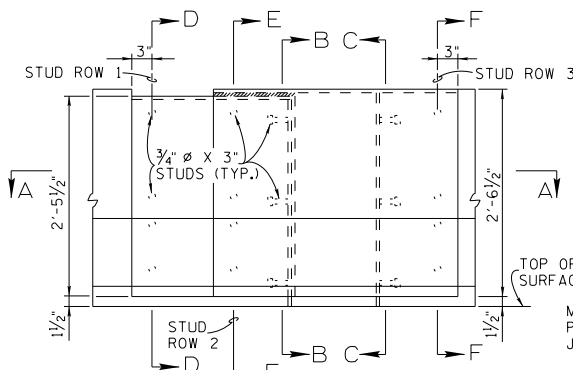
(SKEWED EXPANSION JOINT)



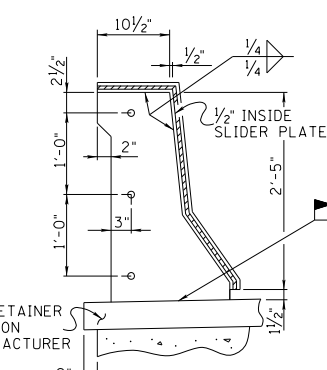
SECTION G - G

NOTE: WELD WIDTH OF CONTACT POINT

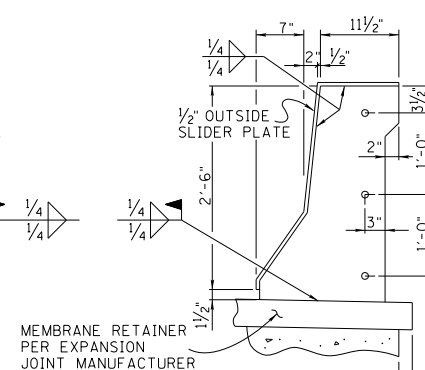
PROJECT NO.	YEAR	SHEET NO.	
	2021		
REVISIONS			
NO.	DATE	BY	BRIEF DESCRIPTION
1	5/10/21	TAK	RE-ISSUED DRAWING



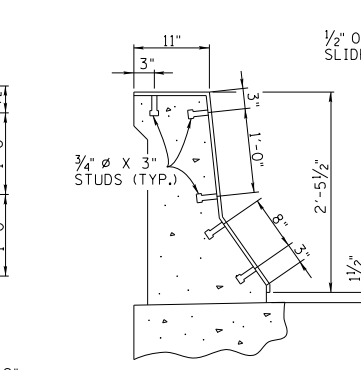
ELEVATION VIEW OF PARAPET



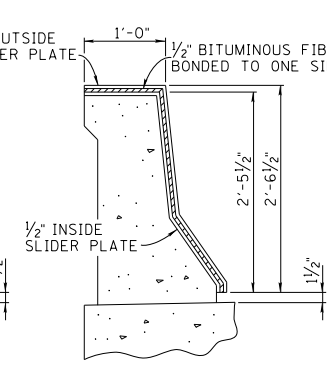
SECTION B - B



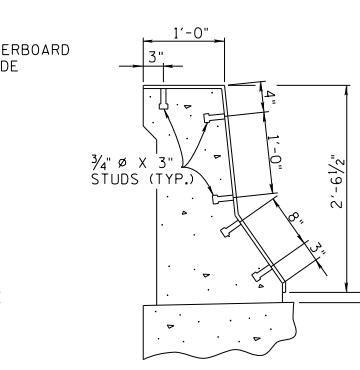
SECTION C - C



SECTION D - D

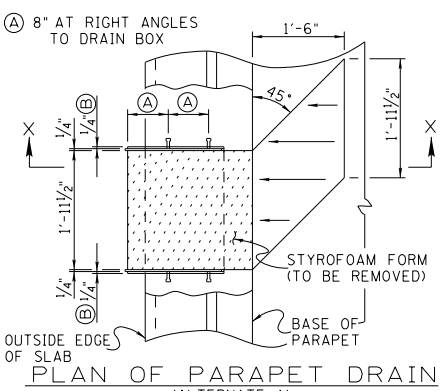


SECTION E - E

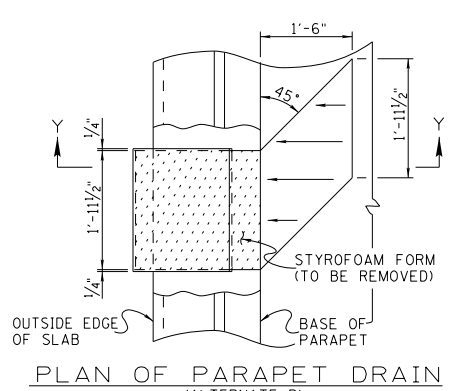


SECTION F - F

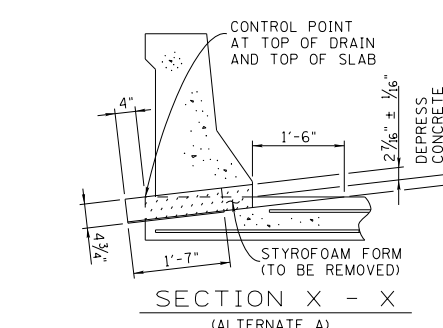
NOTES:
ALL METAL PLATE MATERIAL SHALL BE (ASTM A709) GRADE 36.
ALL WELDING, INCLUDING STUDS, SHALL BE COMPLETED PRIOR TO METAL PLATES BEING PAINTED OR GALVANIZED. ALL STEEL THAT IS PART OF THE JOINT ASSEMBLY SHALL BE PAINTED WITH 4 MILS OF INORGANIC ZINC OR GALVANIZED IN ACCORDANCE WITH ASTM STANDARD SPECIFICATION A123, UNLESS SHOWN OTHERWISE ON PLANS.
NOTE: ALL CONCRETE POURS SHALL BE WELL CONSOLIDATED AROUND THE SLIDER PLATE ASSEMBLIES.
NOTE: COST OF STRUCTURAL STEEL, FORMING, LABOR AND ALL MISCELLANEOUS MATERIALS NECESSARY TO COMPLETE THE INSTALLATION OF SLIDER PLATE ASSEMBLIES TO BE INCLUDED IN EXPANSION DEVICE.



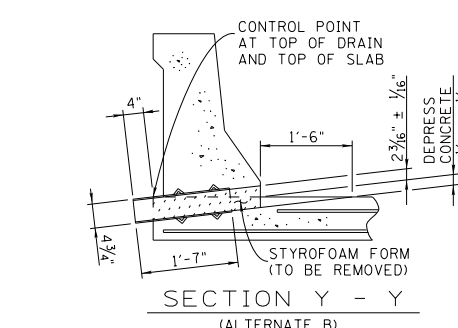
PLAN OF PARAPET DRAIN (ALTERNATE A)



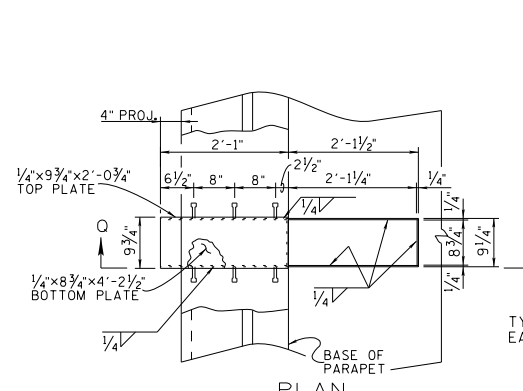
PLAN OF PARAPET DRAIN (ALTERNATE B)



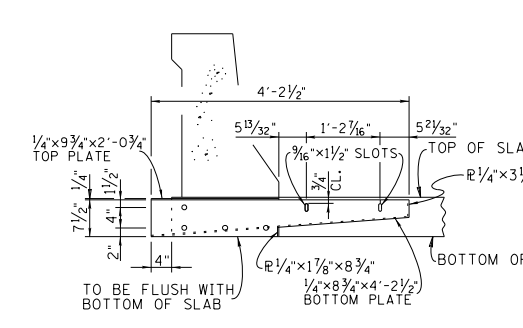
SECTION X - X (ALTERNATE A)



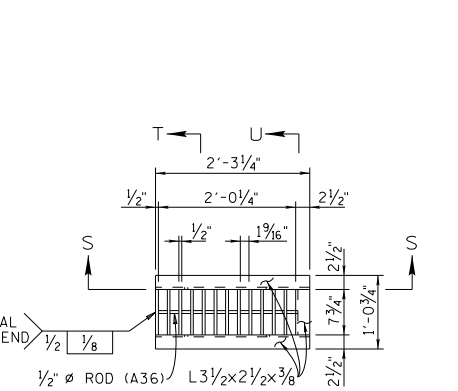
SECTION Y - Y (ALTERNATE B)



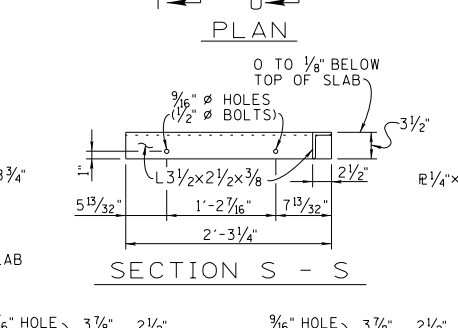
PLAN TYPE 1



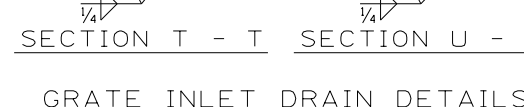
SECTION Q - Q TYPE 1



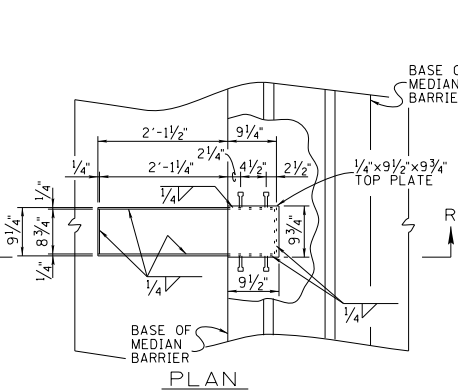
PLAN TYPE 2



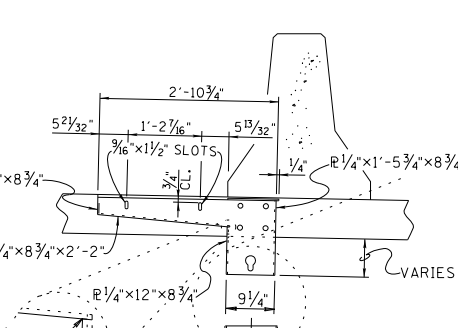
SECTION S - S TYPE 2



SECTION T - T SECTION U - U

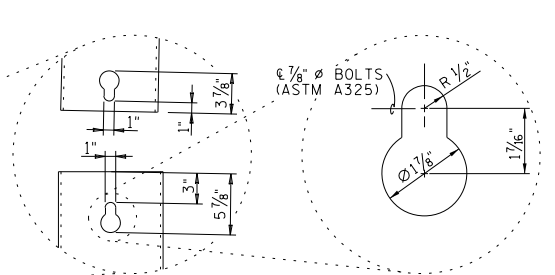


PLAN TYPE 2



SECTION R - R TYPE 2

NOTES:
(FOR ALTERNATES A & B)
FOR ALTERNATE A: ALL METAL PLATE MATERIAL SHALL BE AASHTO M270 (ASTM A709) GRADE 36.
TOP OF DRAIN TO BE SUPPORTED INTERNALLY PRIOR TO AND DURING POURING OF PARAPET CONCRETE. STYROFOAM FORM TO BE REMOVED AFTER THE PARAPET CONCRETE HAS SET. STYROFOAM FORM TO BE IN ACCORDANCE WITH ASTM C 578 (TYPE VIII).
THE COST OF THE DECK DRAINS TO BE INCLUDED IN COST OF THE PARAPET.
GENERAL NOTES:
ALL STUDS SHALL BE 1/2" x 2" (A108).
THE CONTRACTOR MAY USE EITHER ALTERNATE A OR B, EXCEPT WHERE GRATE INLET DRAINS ARE DESIGNATED. EITHER A WHITE OR GREY PVC MATERIAL MAY BE USED FOR ALTERNATE B. MATERIAL FOR GRATE INLET DRAINS SHALL BE AASHTO M270 (ASTM A709) GRADE 36 UNLESS NOTED OTHERWISE.
ALL WELDING, INCLUDING STUDS, SHALL BE COMPLETED PRIOR TO METAL DRAINS BEING ZINC COATED. ZINC COATING SHALL BE AS SPECIFIED BY ASTM STANDARD SPECIFICATION A-123.
REINFORCING STEEL IN CONFLICT WITH DECK DRAIN TO BE CUT IN FIELD. EPOXY COATED REINFORCING STEEL TO BE REPAINTED ACCORDING TO ASTM D-3963.
WHEN BRIDGE SHOULDER IS USED TO ACCOMMODATE PED AND/OR BIKE SEE MM-TS-3 FOR DECK DRAINAGE ALTERNATIVES.



STATE OF TENNESSEE
DEPARTMENT OF TRANSPORTATION
STEEL SLIDER PLATE ASSEMBLIES FOR CONCRETE PARAPET AND BRIDGE DECK DRAIN DETAILS 2021

DESIGNED BY C.M. HILES DATE _____
DRAWN BY KIM FRANKENFIELD DATE _____
SUPERVISED BY C.M. HILES DATE _____
CHECKED BY C.M. HILES DATE _____

NOTE: COST OF STRUCTURAL STEEL, FORMING, LABOR AND ALL MISCELLANEOUS MATERIALS NECESSARY TO COMPLETE THE INSTALLATION OF GRATE INLET DRAIN TO BE INCLUDED IN PAY ITEM FOR GRATE INLET DRAIN TYPE 1 AND/OR TYPE 2.

CORRECT
Jed A. Krueger
ENGINEER OF STRUCTURES
SHEET 2 OF 13
STD-1-2