

**SECTION "F"- "F"**

**① DIMENSIONS**

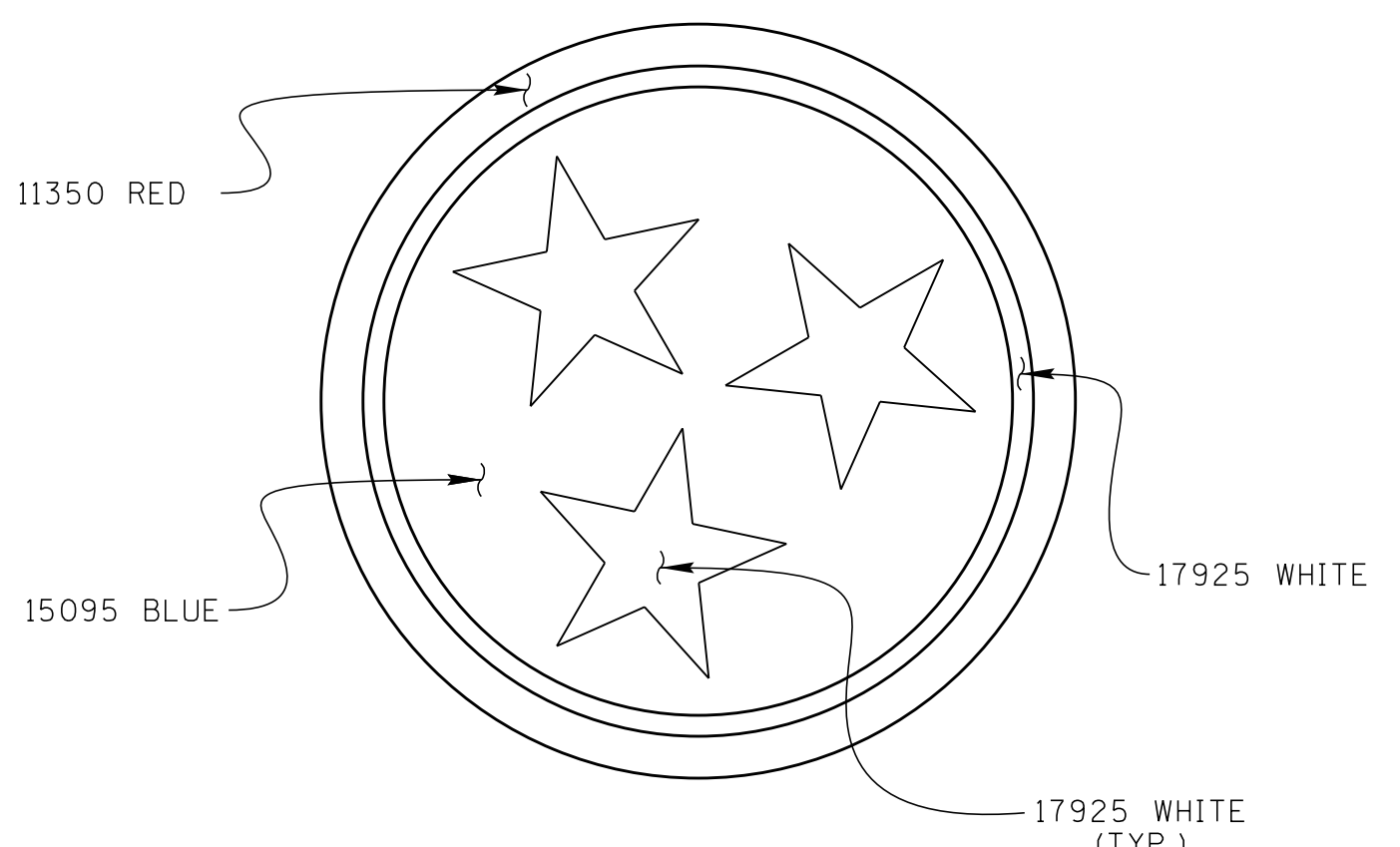
A	B	C	D	E	F	G
1'-4"	6 1/2"	5"	1"	3/4"	1/2"	1"
2'-0"	10"	8"	1 1/4"	1"	3/4"	1"
3'-0"	1'-3"	1'-0"	2"	1 1/2"	1"	1"

**ANGLES**

X	Y	Z
30°	60°	36°
30°	60°	36°
30°	60°	36°

NOTE: SEE CONTRACT PLANS FOR THE LOCATION OF EMBLEM.

**① ARCHITECTURAL TREATMENT  
THREE STAR EMBLEM FORM DETAIL**



**PAINTING DETAIL  
LOCATION OF COLORS**

**NOTES:**

STATE EMBLEM SHALL BE EMBOSSED INTO THE CONCRETE. THE STATE EMBLEM SHALL BE PAINTED WITH A MARINE ACRYLIC GLOSS PAINT IN COLORS AS NOTED BELOW. A COLOR SAMPLE SHALL BE SUBMITTED TO THE ENGINEER FOR APPROVAL. THE COST OF ALL MATERIALS AND LABOR NECESSARY FOR THE COMPLETE CONSTRUCTION AND PAINTING (INCLUDING CLEAR COAT) OF THE STATE EMBLEM SHALL BE INCLUDED IN THE UNIT PRICE BID FOR ITEM NO. 604-04.41, THREE STAR STATE EMBLEM.

- PAINT AND CLEAR COAT FOR STATE EMBLEM:**
- RED FEDERAL SPEC. NO. 11350
  - WHITE FEDERAL SPEC. NO. 17925
  - BLUE FEDERAL SPEC. NO. 15095
  - CLEAR COAT WATERBORNE ACRYLIC CLEAR COAT CLEAR GLOSS

PROJECT NO.	YEAR	SHEET NO.	
	2018		
REVISIONS			
NO.	DATE	BY	BRIEF DESCRIPTION
1	10-3-18	JHW	ADDED ALTERNATE DIMENSIONS

DESIGNED BY A. PRICE      DATE 3-18  
 DRAWN BY A. HUNTER      DATE 3-18  
 SUPERVISED BY H. WALKER      DATE 3-18  
 CHECKED BY A. PRICE      DATE 3-18

CORRECT *Ded A. Kniagewicz*  
 ENGINEER OF STRUCTURES

STATE OF TENNESSEE  
 DEPARTMENT OF TRANSPORTATION  
 TRI-STAR STATE EMBLEM  
 FINISH DETAILS  
 2018