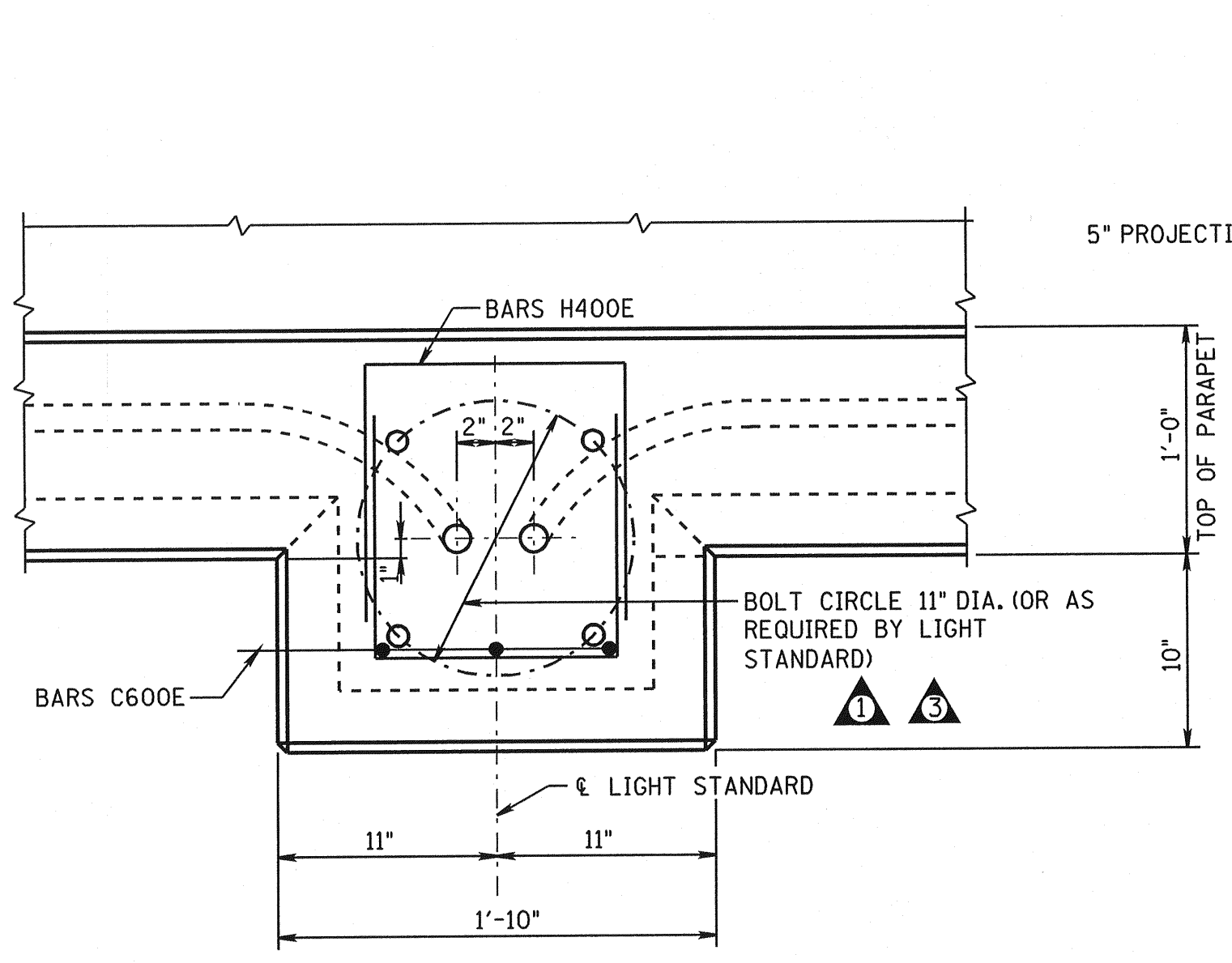
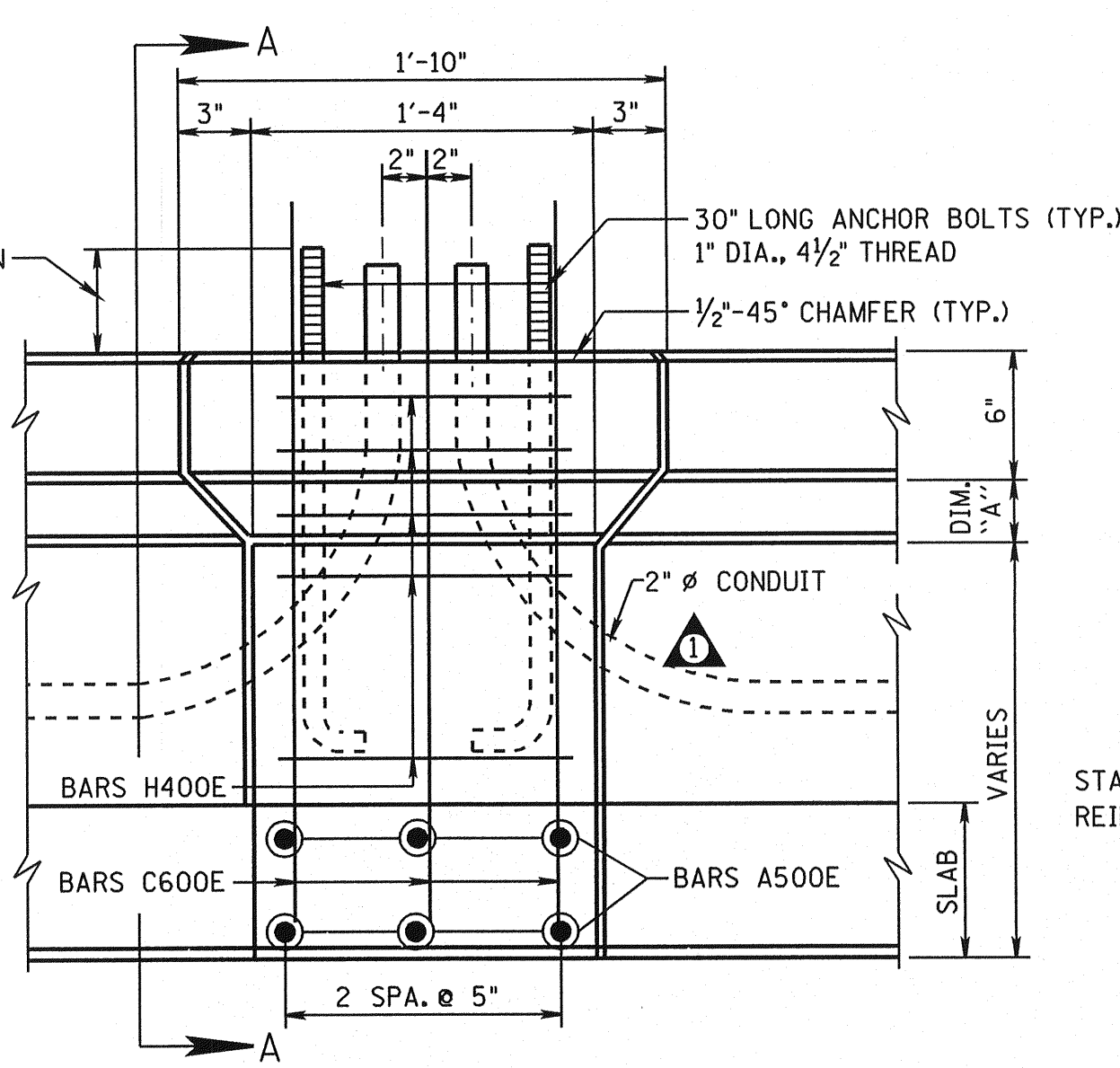


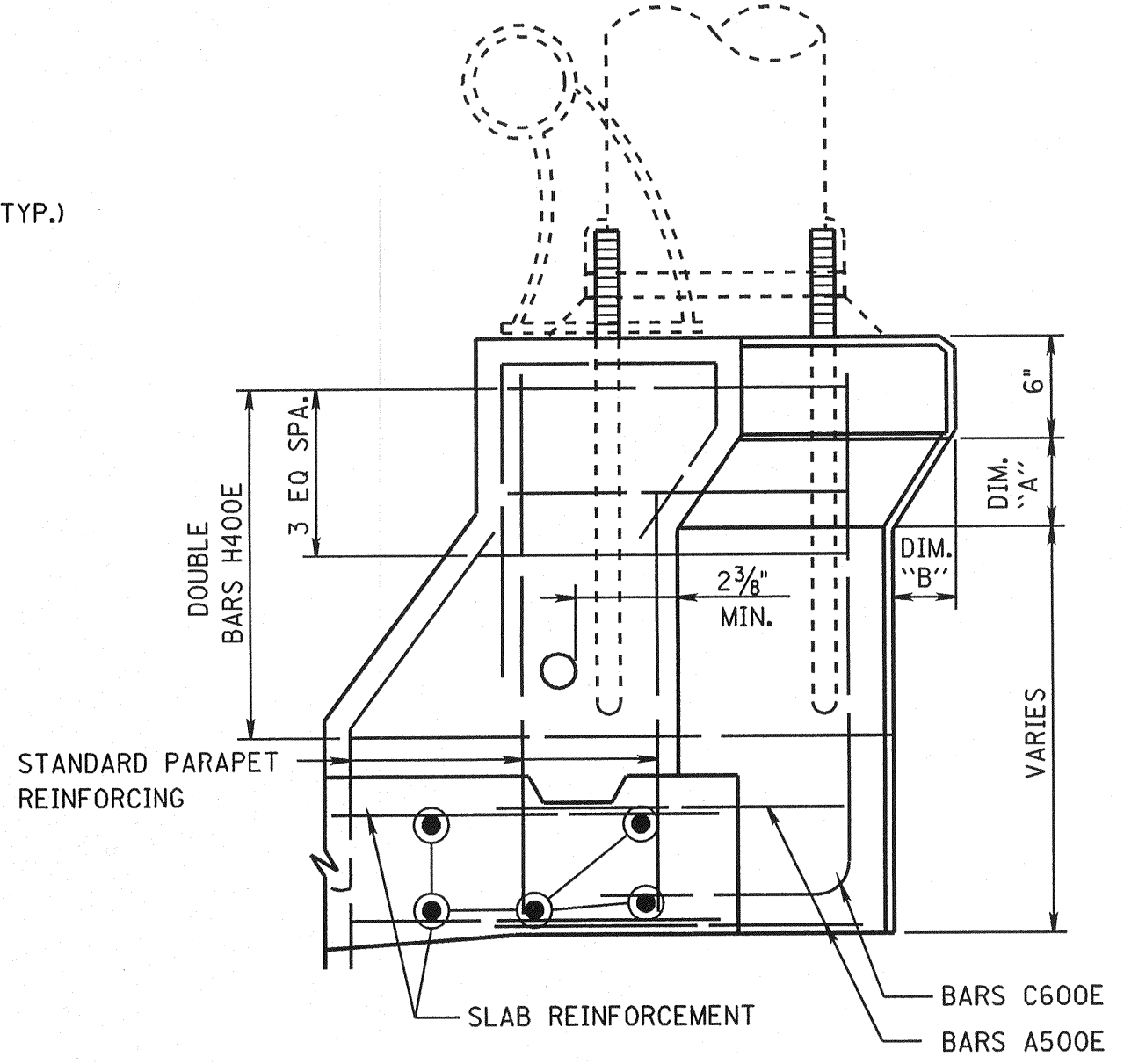
PROJECT NO.	YEAR	SHEET NO.	
REVISIONS			
NO.	DATE	BY	BRIEF DESCRIPTION
1	10-19-73	RMD	GENERAL REVISIONS
2	7-22-74	CEC	REVISED DIMS. & ADDED TABLE
3	11-12-75	RMD	GENERAL REVISIONS
4	11-20-75	RMD	ADDED DIM FOR K-38-154 & REV. SEC. A-A
5	9-1-91	MAH	CHANGED DWG. NO. FROM M-8-149
6	4-8-05	JHW	DELETED DRAWING REFERENCE
7	11-1-10	JHW	ADDED EPOXY COATED STEEL



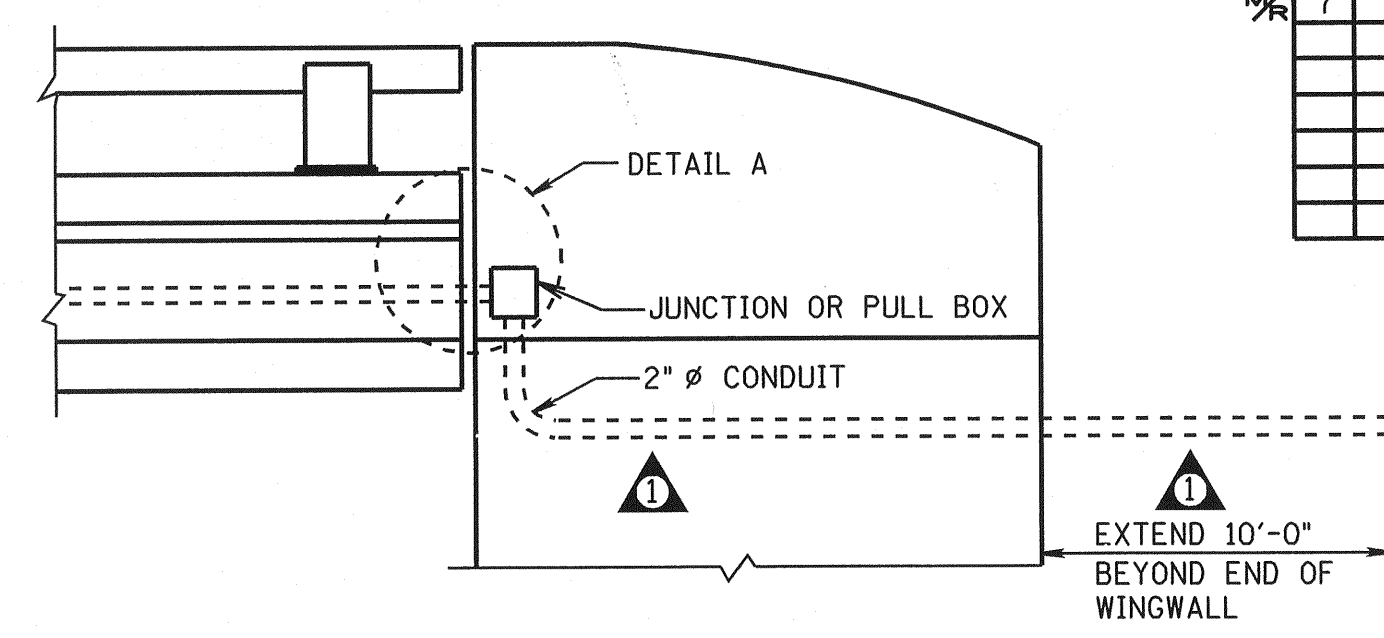
PLAN



ELEVATION



SECTION A-A



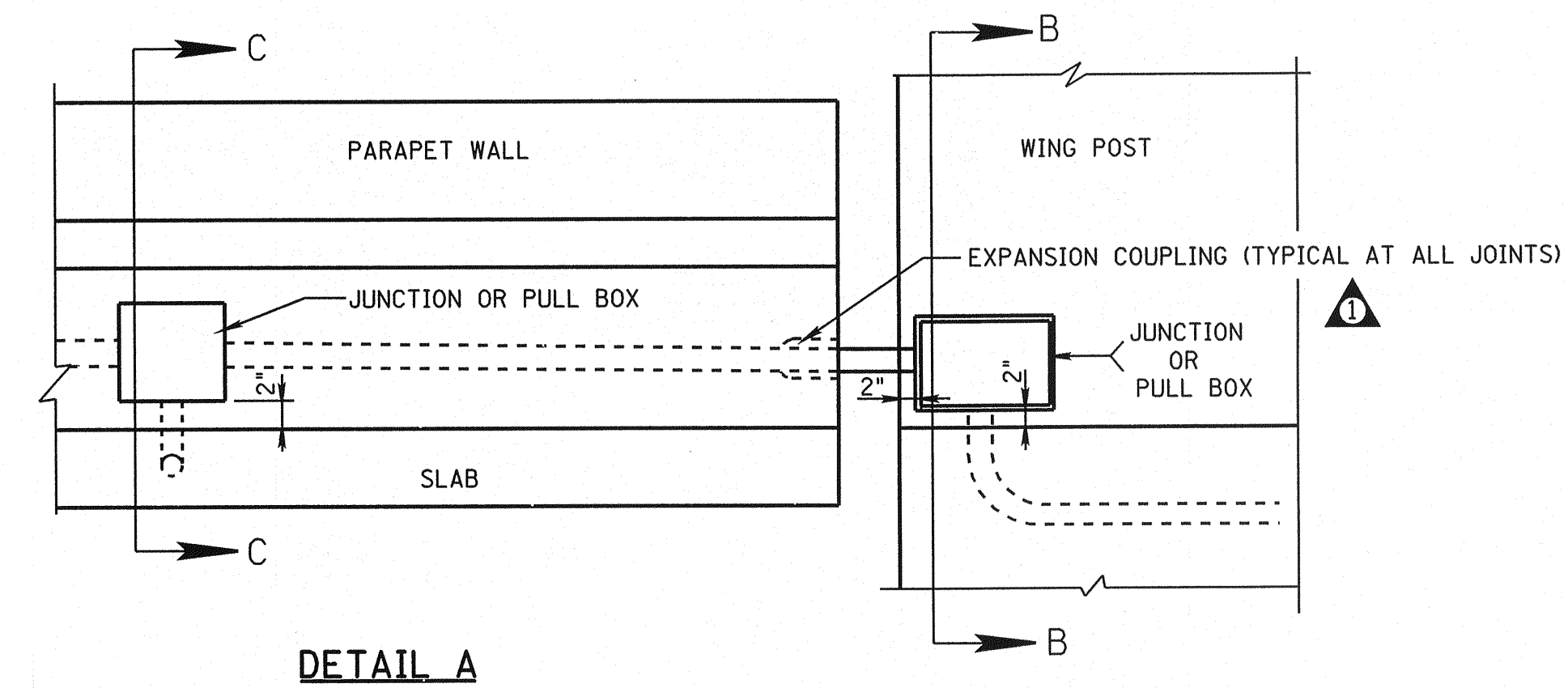
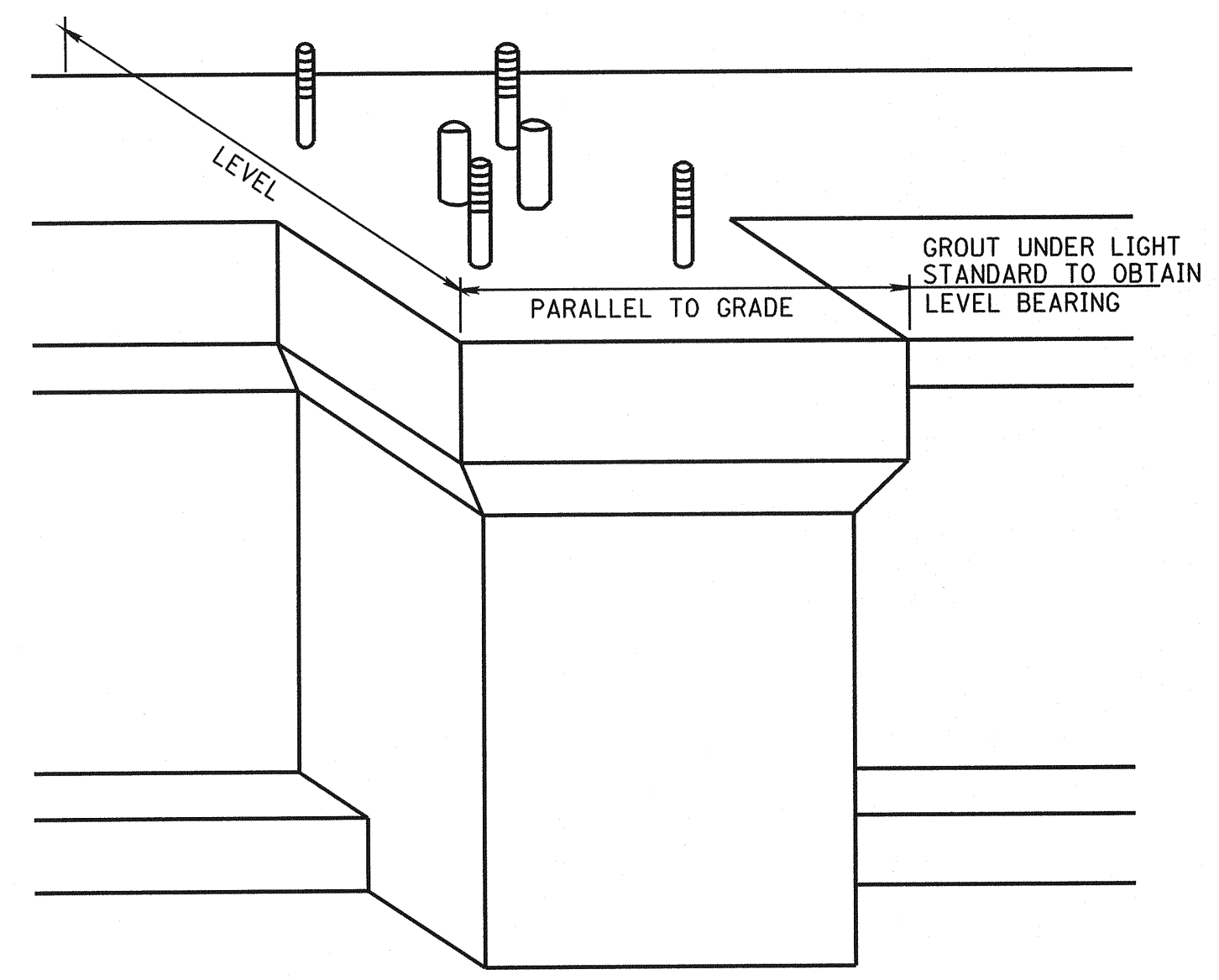
ELEVATION AT ABUTMENT

	DIM. "A"	DIM. "B"
	2"	2"

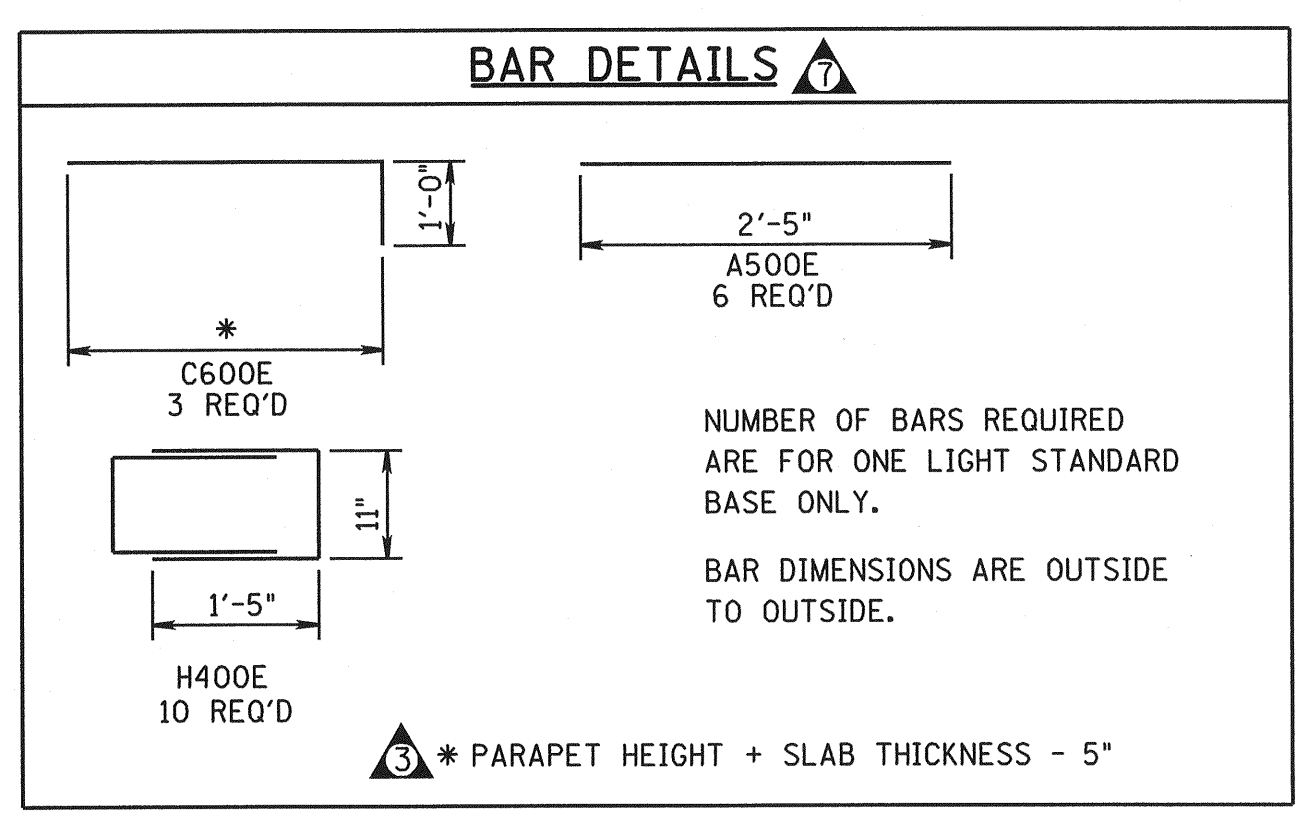
ESTIMATED QUANTITIES PER LIGHT STANDARD SUPPORT

CLASS A CONCRETE	REINFORCING STEEL
0.15 Cu.Yds.	67 Lbs.

NOTE: ALL MATERIALS SHOWN ON THIS DRAWING SHALL BE COMPENSATED FOR UNDER ITEM NO.'s 714-01.01 THRU 714-01.30, STRUCTURE LIGHTING (BRIDGE No. ....) EXCEPT CONCRETE AND REINFORCING STEEL TO BE INCLUDED IN THE PRICE BID FOR PARAPETS.

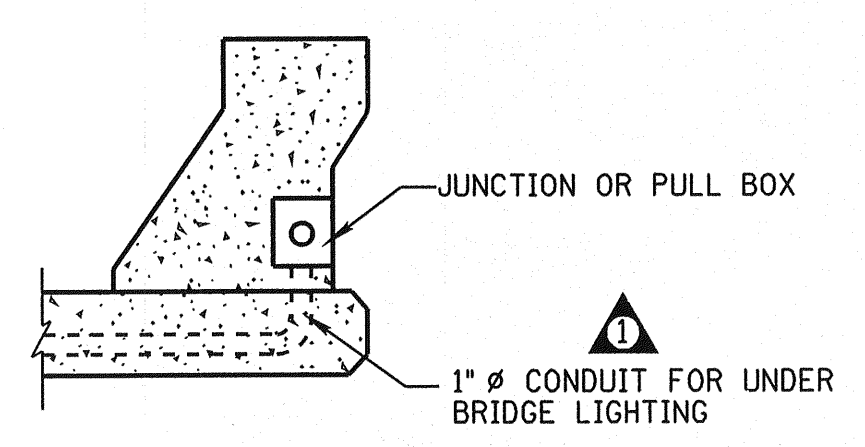


DETAIL A

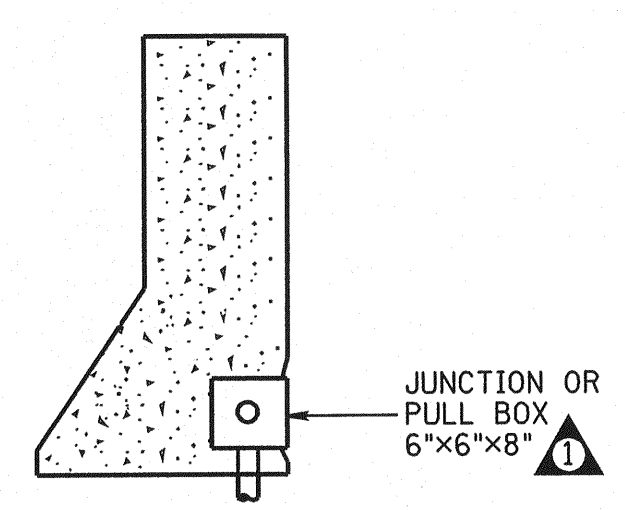


BAR DETAILS

NOTE: THESE SUPPORT DETAILS ARE INTENDED FOR LIGHT SUPPORTS ONLY, AND SHOULD NOT BE USED FOR SUPPORT OF STRAIN POLES.



SECTION C-C



SECTION B-B

DESIGNED BY \_\_\_\_\_ DATE \_\_\_\_\_  
 DRAWN BY GPM DATE 10-73  
 SUPERVISED BY \_\_\_\_\_ DATE \_\_\_\_\_  
 CHECKED BY \_\_\_\_\_ DATE \_\_\_\_\_

MINOR REVISION - FHWA APPROVAL NOT REQUIRED  
 STATE OF TENNESSEE  
 DEPARTMENT OF TRANSPORTATION  
 STANDARD DRAWING  
 LIGHT STANDARD  
 SUPPORT DETAILS

CORRECT *Edward P. Wasserman*  
 ENGINEER OF STRUCTURES