

CONST. NO.			
PROJECT NO.	YEAR	SHEET NO.	
	2010		
REVISIONS			
NO.	DATE	BY	BRIEF DESCRIPTION

**1 @ 14 x 5 REINFORCED CONCRETE BOX BRIDGE**

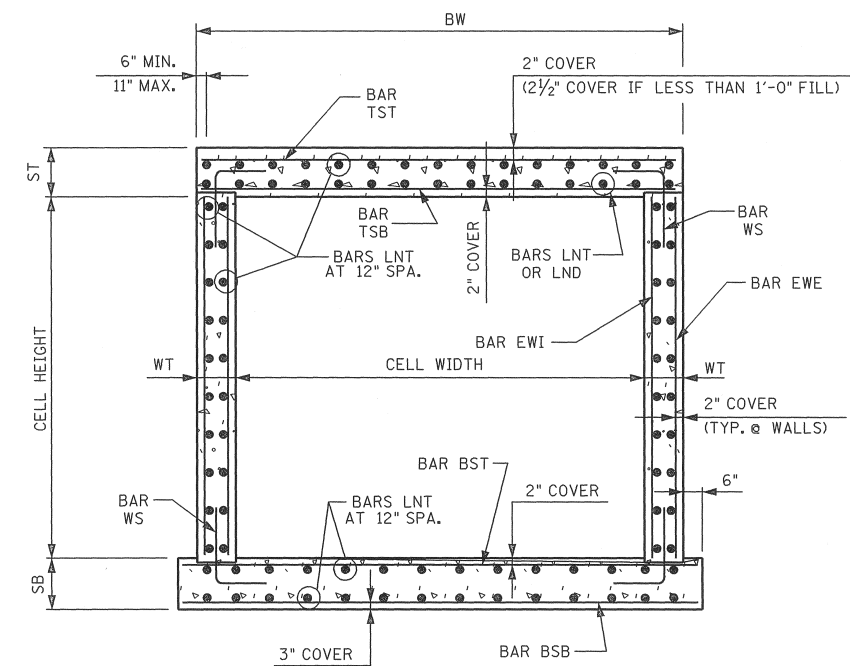
Maximum Fill Height ft.	Dimensions				Bars TST				Bars TSB				Bars BST				Bars BSB				Bars EWE				Bars EWI				Bars LNT No.	Bars LND No.	Bars WS No.	Concrete CY/LF	Reinf. Steel LB/LF
	ST in.	SB in.	WT in.	BW ft.	Size	No.	Spacing in.	Length ft.	Size	No.	Spacing in.	Length ft.	Size	No.	Spacing in.	Length ft.	Size	No.	Spacing in.	Length ft.	Size	No.	Spacing in.	Length ft.	Size	No.	Spacing in.	Length ft.					
No Fill	10.5	10	8	15.33	4	1	12	14.83	9	2	6	14.83	8	2	6	15.83	4	1	12	15.83	4	2	12	5.00	5	2	12	5.00	68	28	4	1.25	351
3	13	13	8	15.33	4	1	12	14.83	8	2	6	14.83	7	2	6	15.83	4	1	12	15.83	4	2	12	5.00	5	2	12	5.00	68	28	4	1.52	310
5	12	12	8	15.33	4	1	12	14.83	8	2	6	14.83	8	2	6	15.83	4	1	12	15.83	4	2	12	5.00	5	2	12	5.00	82	0	4	1.42	310
10	14	14	8	15.33	4	1	12	14.83	8	2	6	14.83	11	1	12	15.83	4	1	12	15.83	4	2	12	5.00	5	2	12	5.00	82	0	4	1.62	309
20	17	17	8	15.33	4	1	12	14.83	9	2	6	14.83	9	2	6	15.83	4	1	12	15.83	4	2	12	5.00	5	2	12	5.00	82	0	4	1.91	354
30	23	23	8	15.33	4	1	12	14.83	9	2	6	14.83	9	2	6	15.83	4	1	12	15.83	4	2	12	5.00	5	2	12	5.00	82	0	4	2.49	354
40	29	29	8	15.33	4	1	12	14.83	9	2	6	14.83	9	2	6	15.83	4	1	12	15.83	4	2	12	5.00	5	2	12	5.00	82	0	4	3.08	354
50	33	33	9	15.50	4	1	12	15.00	9	2	6	15.00	9	2	6	16.00	4	1	12	16.00	4	2	12	5.00	5	2	12	5.00	82	0	4	3.54	357
60	37	37	10	15.67	4	1	12	15.17	9	2	6	15.17	9	2	6	16.17	4	1	12	16.17	4	2	12	5.00	5	2	12	5.00	82	0	4	4.00	359

**1 @ 14 x 6 REINFORCED CONCRETE BOX BRIDGE**

Maximum Fill Height ft.	Dimensions				Bars TST				Bars TSB				Bars BST				Bars BSB				Bars EWE				Bars EWI				Bars LNT No.	Bars LND No.	Bars WS No.	Concrete CY/LF	Reinf. Steel LB/LF
	ST in.	SB in.	WT in.	BW ft.	Size	No.	Spacing in.	Length ft.	Size	No.	Spacing in.	Length ft.	Size	No.	Spacing in.	Length ft.	Size	No.	Spacing in.	Length ft.	Size	No.	Spacing in.	Length ft.	Size	No.	Spacing in.	Length ft.					
No Fill	10.5	10	8	15.33	4	1	12	14.83	9	2	6	14.83	8	2	6	15.83	4	1	12	15.83	4	2	12	6.00	5	2	12	6.00	72	28	4	1.30	357
3	13	13	8	15.33	4	1	12	14.83	8	2	6	14.83	7	2	6	15.83	4	1	12	15.83	4	2	12	6.00	5	2	12	6.00	72	28	4	1.57	316
5	12	12	8	15.33	4	1	12	14.83	8	2	6	14.83	8	2	6	15.83	4	1	12	15.83	4	2	12	6.00	5	2	12	6.00	86	0	4	1.47	316
10	14	14	8	15.33	4	1	12	14.83	8	2	6	14.83	8	2	6	15.83	4	1	12	15.83	4	2	12	6.00	5	2	12	6.00	86	0	4	1.66	316
20	17	17	8	15.33	4	1	12	14.83	9	2	6	14.83	9	2	6	15.83	4	1	12	15.83	4	2	12	6.00	5	2	12	6.00	86	0	4	1.96	360
30	23	24	8	15.33	4	1	12	14.83	9	2	6	14.83	9	2	6	15.83	4	1	12	15.83	4	2	12	6.00	5	2	12	6.00	86	0	4	2.59	360
40	29	29	9	15.50	4	1	12	15.00	9	2	6	15.00	9	2	6	16.00	4	1	12	16.00	4	2	12	6.00	5	2	12	6.00	86	0	4	3.20	363
50	33	33	10	15.67	4	1	12	15.17	9	2	6	15.17	9	2	6	16.17	4	1	12	16.17	4	2	12	6.00	5	2	12	6.00	86	0	4	3.66	365
60	37	37	11	15.83	4	1	12	15.33	9	2	6	15.33	9	2	6	16.33	4	1	12	16.33	4	2	12	6.00	5	2	12	6.00	86	0	4	4.14	368

**1 @ 14 x 7 REINFORCED CONCRETE BOX BRIDGE**

Maximum Fill Height ft.	Dimensions				Bars TST				Bars TSB				Bars BST				Bars BSB				Bars EWE				Bars EWI				Bars LNT No.	Bars LND No.	Bars WS No.	Concrete CY/LF	Reinf. Steel LB/LF
	ST in.	SB in.	WT in.	BW ft.	Size	No.	Spacing in.	Length ft.	Size	No.	Spacing in.	Length ft.	Size	No.	Spacing in.	Length ft.	Size	No.	Spacing in.	Length ft.	Size	No.	Spacing in.	Length ft.	Size	No.	Spacing in.	Length ft.					
No Fill	10.5	10	8	15.33	4	1	12	14.83	9	2	6	14.83	8	2	6	15.83	4	1	12	15.83	4	2	12	7.00	5	2	12	7.00	76	28	4	1.35	363
3	13	13	8	15.33	4	1	12	14.83	8	2	6	14.83	7	2	6	15.83	4	1	12	15.83	4	2	12	7.00	5	2	12	7.00	76	28	4	1.62	322
5	12	12	8	15.33	4	1	12	14.83	8	2	6	14.83	8	2	6	15.83	4	1	12	15.83	4	2	12	7.00	5	2	12	7.00	90	0	4	1.52	322
10	14	14	8	15.33	4	1	12	14.83	8	2	6	14.83	8	2	6	15.83	4	1	12	15.83	4	2	12	7.00	5	2	12	7.00	90	0	4	1.71	322
20	17	17	8	15.33	4	1	12	14.83	9	2	6	14.83	9	2	6	15.83	4	1	12	15.83	4	2	12	7.00	5	4	6	7.00	90	0	4	2.01	381
30	23	24	9	15.50	4	1	12	15.00	9	2	6	15.00	9	2	6	16.00	4	1	12	16.00	4	2	12	7.00	5	4	6	7.00	90	0	4	2.71	384
40	29	29	10	15.67	4	1	12	15.17	9	2	6	15.17	9	2	6	16.17	4	1	12	16.17	4	2	12	7.00	6	2	12	7.00	90	0	4	3.33	378
50	33	33	12	16.00	4	1	12	15.50	9	2	6	15.50	9	2	6	16.50	4	1	12	16.50	4	2	12	7.00	5	2	12	7.00	94	0	4	3.88	379
60	37	37	13	16.17	4	1	12	15.67	9	2	6	15.67	9	2	6	16.67	4	1	12	16.67	4	2	12	7.00	5	2	12	7.00	94	0	4	4.37	382



TYPICAL SECTION

NOTE: FOR DESCRIPTIONS OF BOX DIMENSIONS AND REINFORCING BAR DESIGNATIONS SEE STANDARD DRAWING NO. STD-17-5.

Note: Maximum fill height shown in the table is measured from the bottom of the top slab. To obtain the total fill height from the flow line, add the height of the box.  
 Note: When height of fill above the top slab is less than 1 foot, the top mat of reinforcing in the top slab shall be constructed with 2-1/2 inches of concrete cover.

The following bar information applies to all fill cases in the tables above:  
 Bars LNT Size = 4 Spacing = 12 in.  
 Bars LND Size = 5 Spacing = 6 in.  
 Bars WS Size = 8 Length = 5.00 ft. Spacing = 12 in.

STATE OF TENNESSEE  
 DEPARTMENT OF TRANSPORTATION  
 STANDARD REINFORCED CONCRETE  
 BOX BRIDGE  
 INTERIOR SECTION  
 SPANS: 1 BARREL AT 14'-0"  
 CLEAR HEIGHTS 5'-0" THRU 7'-0"  
 0' THRU 60' FILL  
 2010

DESIGNED BY: RLL/ALP DATE: 12-09  
 DRAWN BY: KEVIN MARTINKO DATE: 1-10  
 SUPERVISED BY: EPW/RLC DATE: 12-09  
 CHECKED BY: RLL/ALP DATE: 2-10

CORRECT *Edward P. Wasserman*  
 ENGINEER OF STRUCTURES