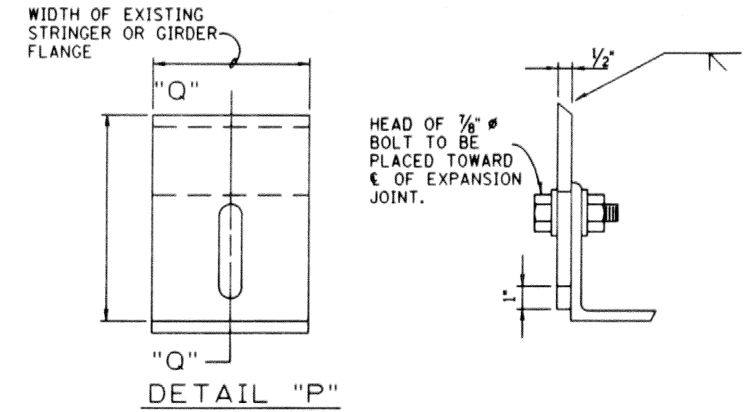
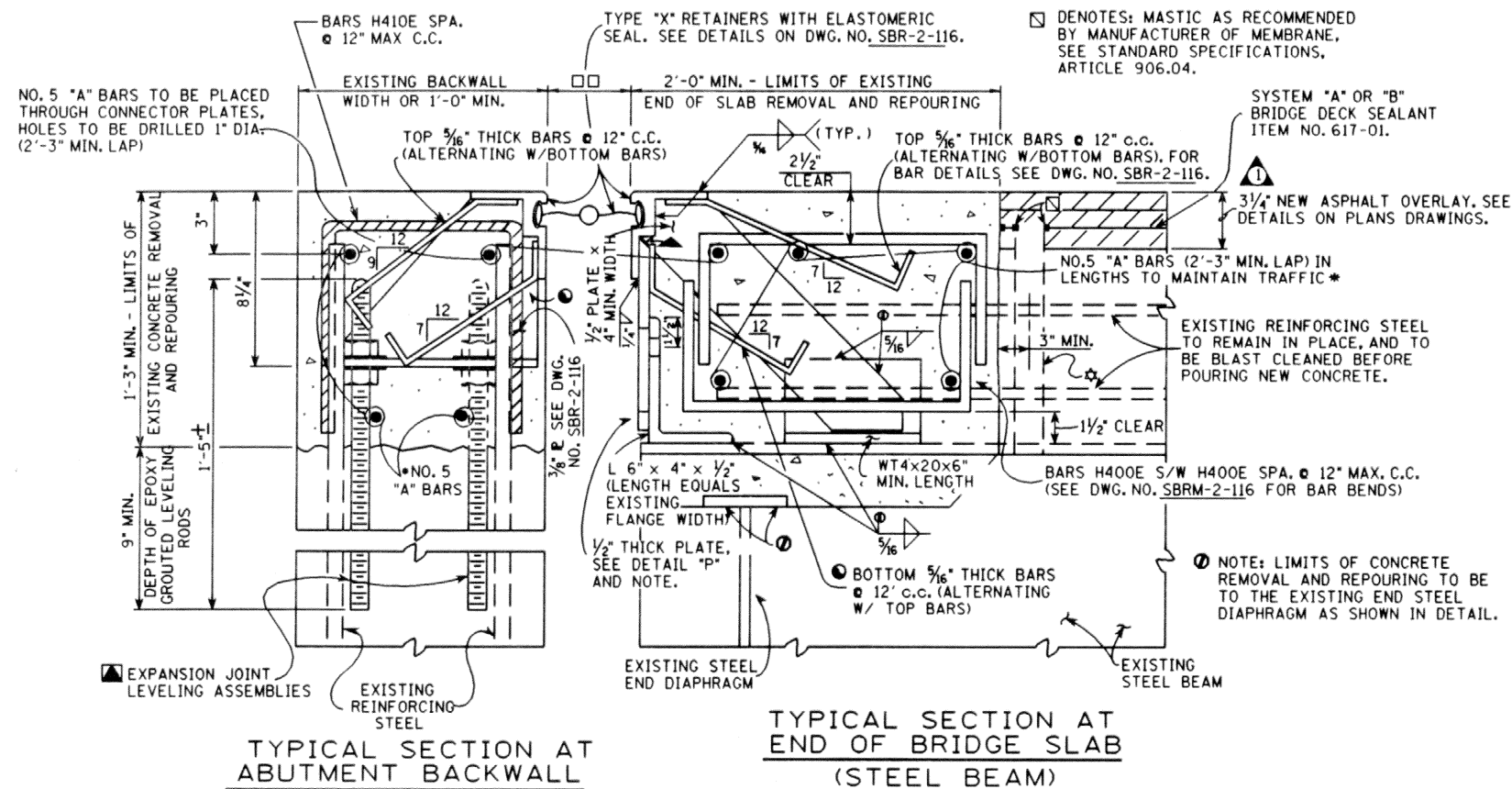


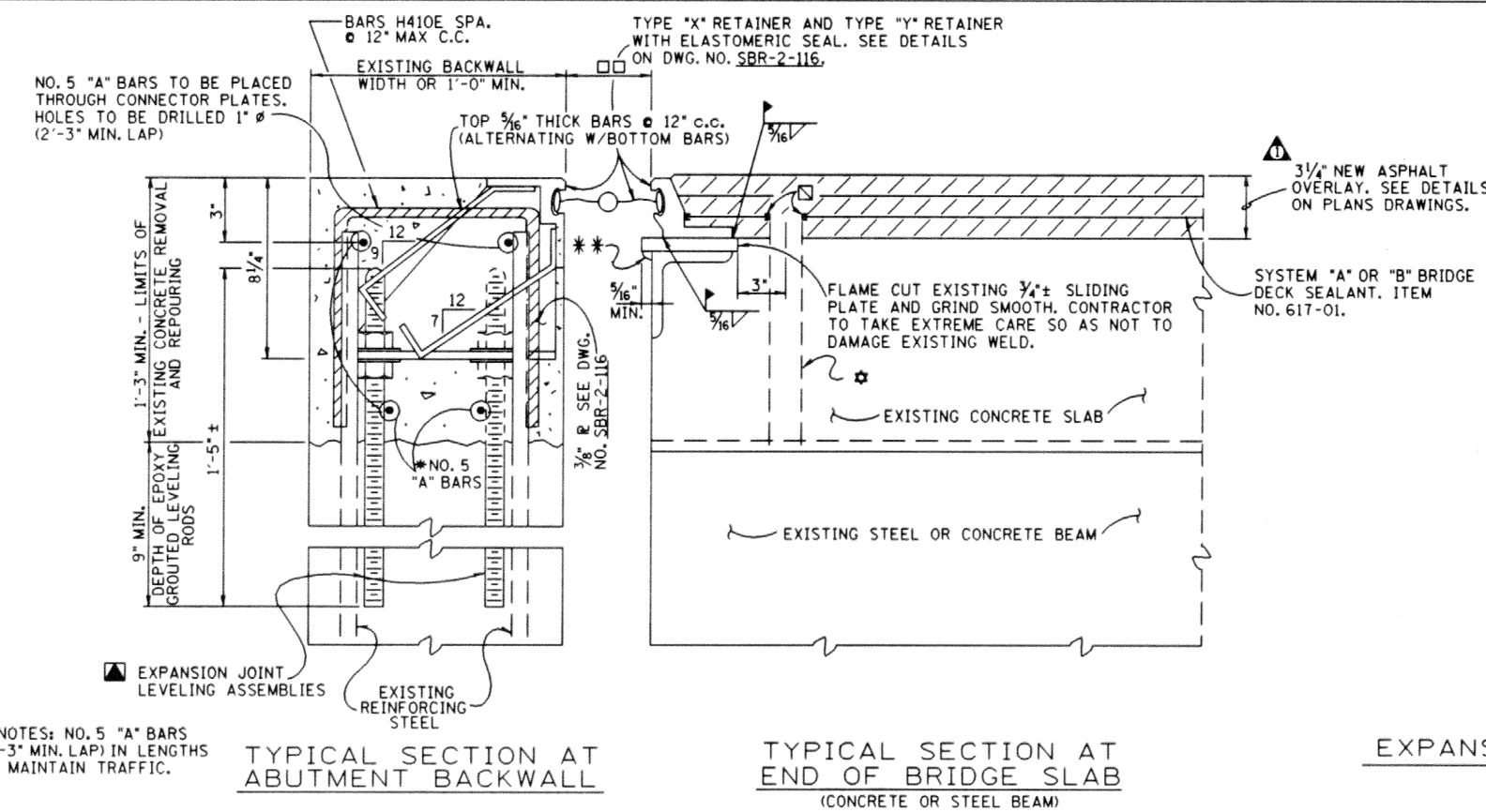
PROJECT NO.	YEAR	SHEET NO.	
	1991		
REVISIONS			
NO.	DATE	BY	BRIEF DESCRIPTION
1	7-29-95	WMM	REVISED NEW ASPHALT OVERLAY AND ADDED DETAIL "X"
B/R 2	3-7-95	TO	REMOVED SIGNATURES
B/R 3	1-4-96	TO	REVISED BR DRAWING NO. TO SBR DRAWING NO.
B/R 4	5-30-96	TO	REVISED BAR CLEARANCE



EXPANSION JOINT LEVELING ASSEMBLIES - TWO (2) - 7/8" THREADED RODS, ASTM ABUTMENT BACKWALL. FOR OTHER EXPANSION JOINT LEVELING ASSEMBLY DETAILS

NOTE: CONTRACTOR TO DRILL A 1 1/2" HOLE NEAR FACE OF CONCRETE CURB OR PARAPET AT LOW POINT EACH SIDE OF BRIDGE. COST TO BE INCLUDED IN ITEM NO. 617-01.

EXPANSION JOINT REPLACEMENT DETAILS - TYPE "A"
 BID UNDER ITEM NO. 604-10.32, EXPANSION JOINT REPAIR, LINEAR FEET



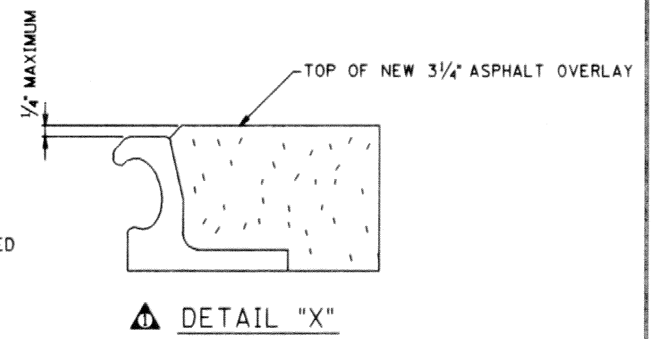
EXPANSION JOINT LEVELING ASSEMBLIES - TWO (2) - 7/8" THREADED RODS, ASTM A36, (2 HEX NUTS AND 2 - 3 1/2" x 3 1/2" x 1/4" SQUARE WASHERS PER BOLT) LOCATED AT 1/2" OF EACH BEAM. DRILL AND EPOXY GROUT THREADED RODS 9" INTO EXISTING ABUTMENT BACKWALL. FOR OTHER EXPANSION JOINT LEVELING ASSEMBLY DETAILS SEE DWG. NO. SBR-2-116.

NOTE: CONTRACTOR TO DRILL A 1 1/2" HOLE NEAR FACE OF CONCRETE CURB OR PARAPET AT LOW POINT EACH SIDE OF BRIDGE. COST TO BE INCLUDED IN ITEM NO. 617-01.

DENOTES: MASTIC AS RECOMMENDED BY MANUFACTURER OF MEMBRANE. SEE STANDARD SPECIFICATIONS, ARTICLE 906.04.

* DENOTES: CONTRACTOR TO TAKE EXTREME CARE WHEN FLAME CUTTING THIS PLATE SO AS NOT TO DAMAGE EXISTING WELD.

□ DENOTES: SET EXPANSION JOINT OPENING 2" AT 60° F. (ACTUAL SETTING AS PER TEMPERATURE CHART ON EXPANSION JOINT SHOP DRAWINGS).



B MINOR REVISION - FHWA APPROVAL NOT REQUIRED

EXPANSION JOINT REPLACEMENT DETAILS - TYPE "B"
 BID UNDER ITEM NO. 604-10.33, EXPANSION JOINT REPAIR, LINEAR FEET

STATE OF TENNESSEE
 DEPARTMENT OF TRANSPORTATION
 STRIP SEAL EXPANSION JOINTS - REPLACEMENT CONSTRUCTION DETAILS TYPE "A" AND TYPE "B" 1991

DESIGNED BY _____ DATE _____
 DRAWN BY KIM FRANKENFIELD DATE 10-89
 SUPERVISED BY GENTRY MCINTURFF DATE 10-89
 CHECKED BY MCINTURFF GLASSGOW DATE 7-90