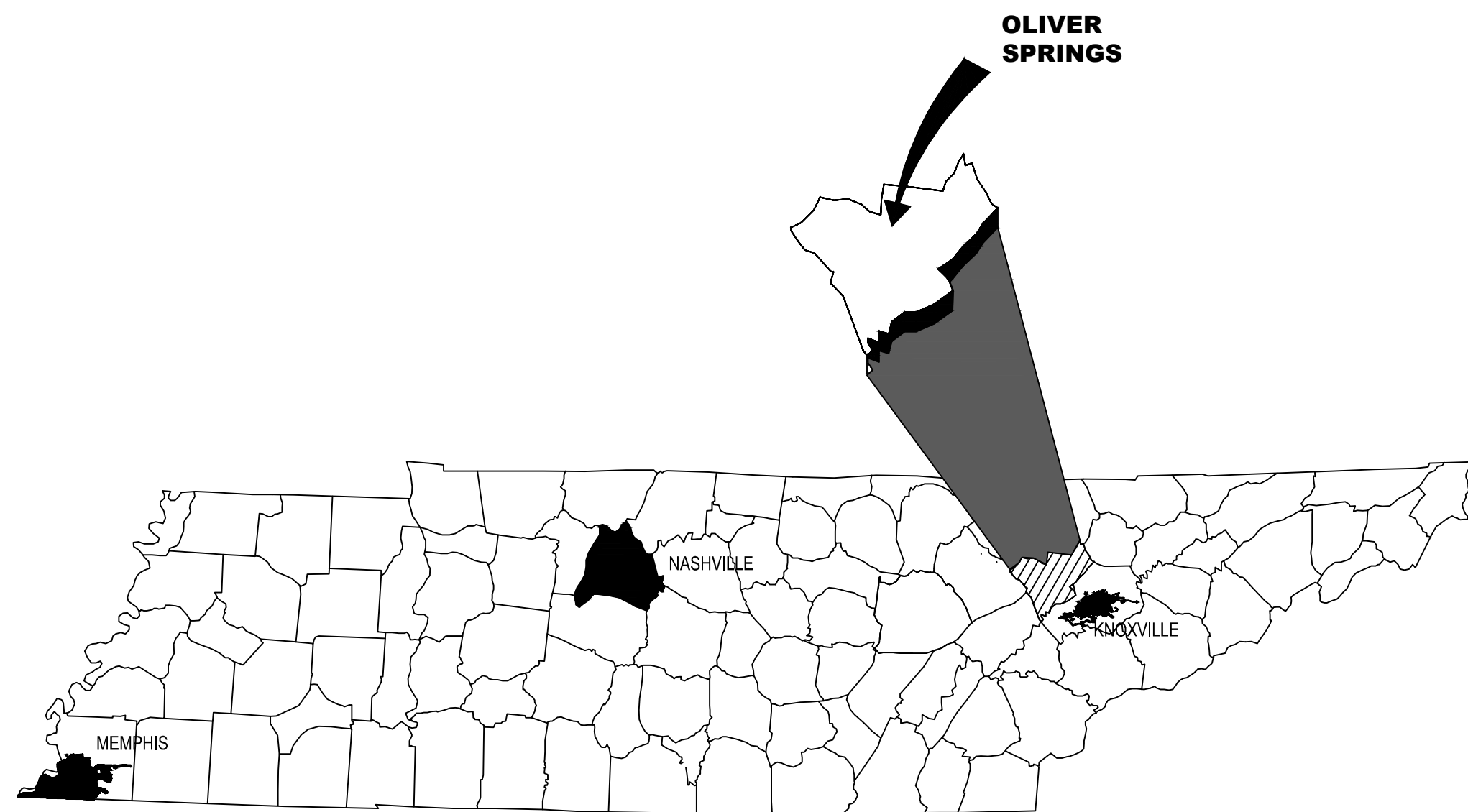


2024 ARPA SEWER SYSTEM SEWER REHABILITATION CITY OF OLIVER SPRINGS, TN



BOARD OF MAYOR AND ALDERMEN ROSTER

MAYOR	JASON STILTNER
ALDERMAN - WARD 1	ROBERT MILLER
ALDERMAN - WARD 2	JEFF BASS
ALDERMAN - WARD 3	KENNETH BROWN
ALDERMAN - WARD 4	TERESA VANHOOK
ALDERMAN - WARD 5	TERRY HOLLAND
ALDERMAN - WARD 6	JAMES BRUMMITT

DWG NO. INDEX OF DRAWINGS

G-01	PROJECT KEY MAP, GENERAL NOTES AND LEGEND
G-02	REHABILITATION PIPES SUMMARY
C-01	SANITARY SEWER REHABILITATION
C-02	SANITARY SEWER REHABILITATION
C-03	SANITARY SEWER REHABILITATION
C-04	SANITARY SEWER REHABILITATION
SD-01	STANDARD SEWER REHABILITATION DETAILS
SD-02	STANDARD GRAVITY SEWER DETAILS
SD-03	STANDARD GRAVITY SEWER DETAILS
EC-01	EROSION CONTROL DETAILS

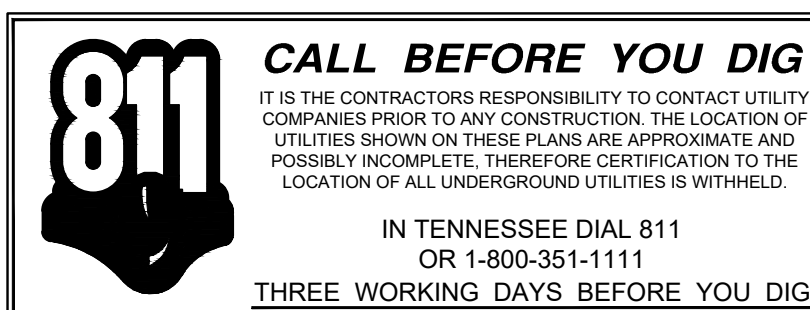


engineering | architecture | geospatial

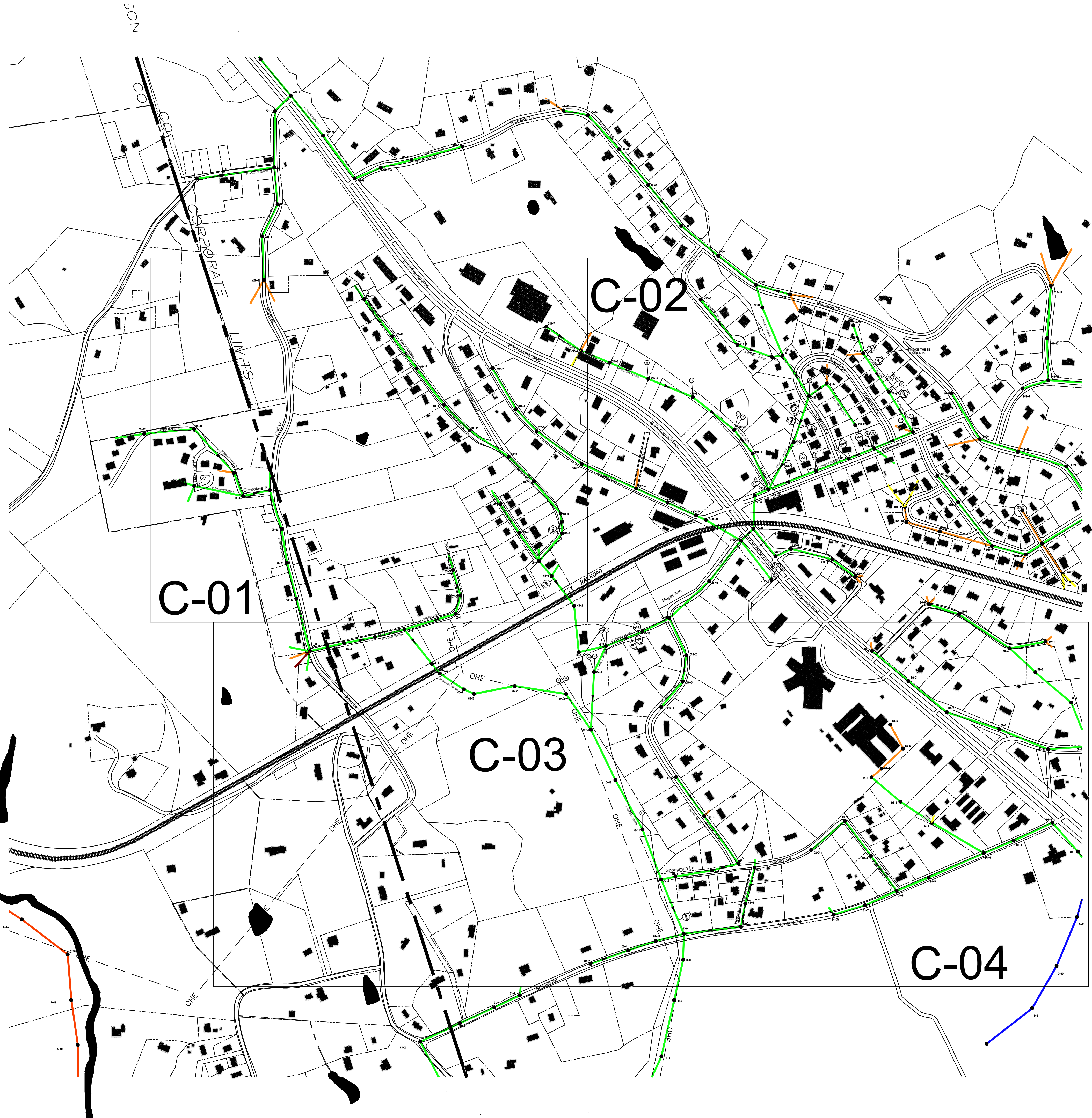
www.grwinc.com



MARCH, 2024



GRW PROJECT NO. 4798-10



PROJECT LOCATION MAP
NOT TO SCALE

GENERAL NOTES

1. THE CONTRACTOR SHALL RESTORE ALL CULVERTS, FENCES, WALLS, SMALL ORNAMENTAL TREES, CULTIVATED SHRUBS, FLOWERS, SIGNS, LIGHTS AND POWER POLES, STREET MARKERS, MAIL BOXES, WATER AND GAS LINES, WATER AND GAS METERS AND BOXES INCLUDING SHUT-OFFS, AND LAWNS DISTURBED BY CONSTRUCTION OPERATIONS TO THEIR ORIGINAL CONDITIONS.
THE COST OF THIS WORK SHALL BE MERGED IN THE UNIT BID AND CONTRACT PRICES FOR THE PROPOSED WORK.
2. WHERE IN EASEMENTS THE CONTRACTOR SHALL PROTECT AND RESTORE SAID PROPERTY TO CONDITION SIMILAR OR EQUAL TO THAT EXISTING AT THE COMMENCEMENT OF CONSTRUCTION, EXCEPT AS NOTED.
3. THE LOCATION OF EXISTING UNDERGROUND UTILITIES ARE SHOWN IN AN APPROXIMATE WAY ONLY. THE CONTRACTOR SHALL DETERMINE THE EXACT LOCATION OF ALL EXISTING UTILITIES BEFORE COMMENCING WORK IN EACH AREA. HE AGREES TO BE FULLY RESPONSIBLE FOR ANY AND ALL DAMAGES WHICH MIGHT BE CAUSED BY HIS FAILURE TO EXACTLY LOCATE AND PRESERVE ANY AND ALL UTILITIES.
BEFORE CONSTRUCTION, CONTRACTOR SHALL CONTACT :

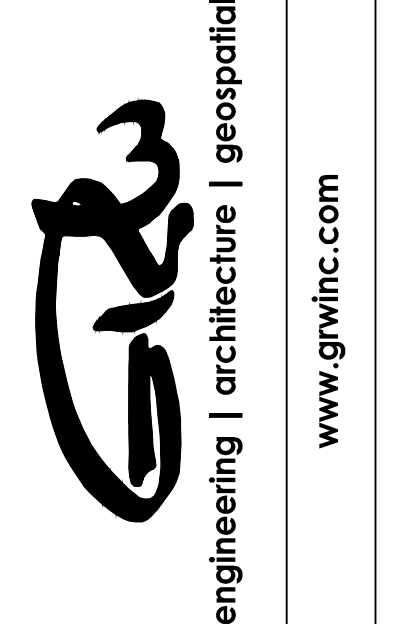
TENNESSEE811
DIAL 811 (OR 1-800-351-1111)
72 HOURS NOTICE
4. IF ANY EXISTING STORM SEWERS ARE SUBSTANTIALLY DAMAGED AS DETERMINED BY THE A/E AND OR OWNER, THE REPAIR SHALL BE MADE WITH R.C.P. PIPE FROM STRUCTURE-TO-STRUCTURE. PIPE SIZE SHALL BE EQUAL TO EXISTING.
5. SUFFICIENT PRECAUTIONS SHALL BE TAKEN DURING CONSTRUCTION TO MINIMIZE THE RUN-OFF OF POLLUTING SUBSTANCES SUCH AS SILT, CLAY, FUELS, OILS, BITUMENS, CALCIUM CHLORIDE, OR OTHER POLLUTING MATERIALS HARMFUL TO HUMANS, FISH OR OTHER LIFE, INTO THE SUPPLIES AND SURFACE WATERS OF THE STATE. CONTROL MEASURES MUST BE ADEQUATE TO ASSURE THAT LOCAL, STATE AND FEDERAL LAWS AND REGULATIONS ARE MET. THE CONTRACTOR IS SOLELY RESPONSIBLE FOR ENSURING THAT THE LAWS AND REGULATIONS ARE MET AND IS RESPONSIBLE FOR ENSURING THAT CONSTRUCTION DOES NOT HARM THE WATERS OF TENNESSEE. THE PROTECTION OF THE SITE SHALL CONTINUE THROUGHOUT THE CONSTRUCTION PERIOD. SPECIAL PRECAUTIONS SHALL BE TAKEN IN THE USE OF CONSTRUCTION EQUIPMENT TO PREVENT OPERATIONS WHICH PROMOTE EROSION.
6. THE TEMPORARY POLLUTION CONTROL PROVISIONS SHALL BE COORDINATED WITH THE PERMANENT EROSION CONTROL MEASURES, TO ENSURE ECONOMICAL, EFFECTIVE, AND CONTINUOUS EROSION CONTROL THROUGHOUT THE CONSTRUCTION AND POST-CONSTRUCTION PERIOD OF THE PROJECT. NATURAL COVER SHOULD BE MAINTAINED AS LONG AS POSSIBLE AND GRADED AREAS SHOULD BE STABILIZED AS SOON AS POSSIBLE.
7. THE CONTRACTOR SHALL OBTAIN ALL PERMITS FROM THE APPROPRIATE FEDERAL, STATE, COUNTY AND/OR LOCAL AGENCIES TO CROSS ALL HIGHWAYS, STREETS, STREAMS, EASEMENTS, ETC...
8. STATE HIGHWAY RIGHT-OF-WAY INFORMATION PROVIDED BY THE STATE OF TENNESSEE DEPARTMENT OF TRANSPORTATION. QUESTIONS CONCERNING R-O-W LOCATION ON ANY STATE HIGHWAY SHOULD BE REFERRED TO THE APPROPRIATE REGIONAL OFFICE OF THE STATE OF TENNESSEE DEPARTMENT OF TRANSPORTATION:
9. PROPERTY OWNERS AND PARCEL INFORMATION PROVIDED BY THE COUNTY REGISTRAR OF DEEDS.
10. SEWER INFORMATION PROVIDED BY THE CITY OF CROSSVILLE.
11. COUNTY ROAD RIGHT-OF-WAY INFORMATION PROVIDED BY THE COUNTY HIGHWAY DEPT. QUESTIONS CONCERNING R-O-W LOCATION ON ANY COUNTY ROAD SHOULD BE REFERRED TO THE COUNTY HIGHWAY DEPARTMENT.

SYSTEM LEGEND

GRAVITY MAIN w/MANHOLE	—●—
MANHOLE w/ID NUMBER	● A6-2
FORCE MAIN	—●—
PUMP STATION	■
SUB-BASIN	■
SUB-BASIN NUMBER	SB-2
3" or LESS	—
4" GRAVITY SEWER	—
6" GRAVITY SEWER	—
8" GRAVITY SEWER	—
10" GRAVITY SEWER	—
12" GRAVITY SEWER	—
15" GRAVITY SEWER	—
21" GRAVITY SEWER	—



GRW PROJECT NO. 4798-10
ALL RIGHTS RESERVED. NO PART OF THIS DRAWING OR ANY INFORMATION CONTAINED HEREIN SHALL BE REPRODUCED IN WHOLE OR IN PART WITHOUT THE WRITTEN PERMISSION OF THE ENGINEER OR ARCHITECT.



PROJECT KEY MAP
GENERAL NOTES AND LEGEND
SEWER SYSTEM IMPROVEMENTS
TOWN OF OLIVER SPRINGS, TENNESSEE

NO.	DATE	BY	DESIGNED	RG	DRAWN	NA	REVIEWED	RG	APPROVED	JWH

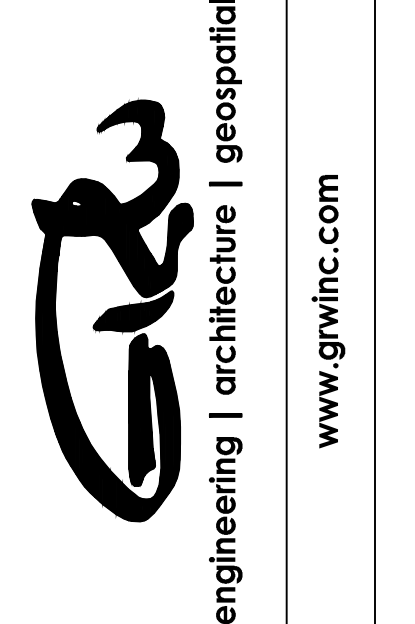
SCALE CHECK: THIS MARK SHOULD MEASURE EXACTLY 1" WHEN PLOTTED

DATE: JANUARY 2024
SCALE: NOT TO SCALE
SHEET NO.



GRW PROJECT NO. 4798-10

ALL RIGHTS RESERVED. NO PART OF THIS DOCUMENT IS TO BE REPRODUCED IN WHOLE OR IN PART WITHOUT THE WRITTEN PERMISSION OF GRW ENGINEERS, INC. AND SHALL NOT BE USED FOR ANY OTHER PROJECT OTHER THAN THIS SPECIFIC PROJECT WITHOUT THE WRITTEN PERMISSION.



REHABILITATION PIPES SUMMARY

SEWER SYSTEM IMPROVEMENTS

TOWN OF OLIVER SPRINGS, TENNESSEE

DESIGNED	RG	RG
DRAWN	NA	NA
REVIEWED	RG	RG
APPROVED	JWH	JWH

NO.	DATE	DESCRIPTION

SCALE CHECK: _____ THIS MARK SHOULD MEASURE EXACTLY 1" WHEN PLOTTED

DATE: JANUARY 2024

SCALE: NOT TO SCALE

SHEET NO. **G-02**

WORK TO BE DONE													
Item No.	Mini Basin	Sheet No.	Upst. MH	Depth (FT)	Downst. MH	Depth (FT)	Distance	Type Pipe	Pipe Dia.	CCTV	Camera Direction	Services	Recom Rehab
1	C	C-01	C8-6	5.5	C8-5	3.25	123	CIPP	8	Yes	Downstream	TFA-88.9-3/	Connect service to liner with PVC pipe with CO
2	C	C-01	C6-1	12.8	C5-14	3.6	298	PVC	8	Yes	Downstream	TFA-140.8-3/	Rework MH C6-1 bench
3	C	C-01	C8-3		C8-2		227	CIPP	8	Yes	Downstream	TFA-22.9-3/	Connect service to liner with PVC pipe with CO
4	C	C-02	C11-1	Unkno.(11?)	C-20	11.5	300	Concrete	8	Yes	Upsteam	None (?)	Smoke, CCTV Segment again, Raise MH C11-1 to Grade/Rehab (possible CIPP)
5	C	C-02	C-28	6.95	C-26	6.12	315	Concrete	8	Yes	Downstream	none (?)	CCTV this segment
6	C	C-02	C-25	10.22	C-24	6.5	291	CIPP	8	Yes	Downstream	TBI-106-3/, TFA-179.6-3/, TFA-182.0-9/	Connect services to liner with PVC pipe and CO, MH C-25 add WT frame & cover
7	C	C-02	C14-1	5	C-23	8.9	309	CIPP	8	Yes	Downstream	3/43.9, 3/165.9, 9/274.4	Connect services to liner with PVC pipe and CO, & Rehab MH C-23 & C14-1
8	C	C-02	C14-2	5.2	C14-1	5	212	Concrete	8	Yes	Downstream	43.1-3/, TFC-98.1-9/, TFA-114.8-3/, TFA-167.4-9/, TFC-183.8-9/, TFA-209.2-9/	Rehab MH C14-2
9	C	C-02	C14-3	11.8	C14-2	5.2	169	CIPP	8	Yes	Downstream	TFA-40.6-3/, TFA-152.8-3/	Connect services to liner with PVC pipe and CO, & Rehab MH C14-3
10	C	C-02	C14-4	8.6	C14-3	11.8	251	CIPP	8	Yes	Downstream	TFA-213-3/	Rehab MH C14-4
11	C	C-02	C14-5	6.15	C14-4	8.6	285	CIPP	8	Yes	Upsteam	TFA-10.9-3/, TFA-55.2-3/, TFA-57.9-9/, TFA-179.7-9/, TFA-222.8-3/, TFA-262.4-9/	Smoke, connect service at 222.8 to liner with PVC crossing creek with CO, Rehab MH C14-5
12	C	C-02	C14-6	6.15	C14-5	6.15	280	CIPP	8	Yes	Downstream	TFA-88.8-9/, TFA-156.4-3/, TFA-211-9/, TFA-233.6-3/	Smoke, connect services at 88.8 & 211 to liner with PVC and crossing creek with CO
13	C	C-02	C14-7	10.5	C14-6	6.15	180	CIPP	8	Yes	Downstream	TFA-32.7-3/, TFA-167.4-9/	Smoke, connect service at 167.4 to liner with PVC crossing creek with CO
14	C	C-02	C15-4	5.72	C15-3	6	291	PVC	8	Yes	Downstream	TFA-6-3/, TFA-9.4-9/, TFA-229.3/	Rehab MH C15-4 & C15-3
15	C	C-02	C15-3	6	C15-2	6.55	317	Concrete	8	Yes	Downstream	TFA-239.3-9/	Rehab MH C15-2
16	C	C-03	C5-4	unkn. (5.0?)	C5-3	unkn. (5.0?)	63	Unkn.	8	No	none	unkn.	Clean and CCTV segment (possible CIPP)
17	C	C-03	C5-3	unkn. (5.0?)	C5-2	unkn. (5.0?)	245	Unkn.	8	No	none	unkn.	Clean and CCTV segment (possible CIPP)
18	C	C-03	C5-2	unkn. (5.0?)	C5-1	unkn. (5.0?)	267	Unkn.	8	No	none	unkn.	Clean and CCTV segment (possible CIPP) & rehab MH C5-1
19	C	C-03	C-16	7.75	C-15	8.9	236	CIPP	8	Yes	Downstream	TFA-21.8-3/, TFA-37.7-9/, TFA-80.7-9/	Connect services to liner with PVC pipe and CO, & Rehab MH C-15
20	C	C-03	C-15	8.9	C-14	8.25	178	Concrete	8	Yes	Downstream	TFA-79.4-9/	Rehab MH C-14
21	C	C-03	C-14	8.25	C-13	6.4	348	CIPP	8	Yes	Downstream	TFD-29-3/	Connect service at 29 to liner with PVC crossing creek with CO
22	C	C-03	C-12	Unkn. (7.0?)	C-11	5.35	343	PVC	8	Yes	Downstream	None	Rehab MH C-11
23	C	C-04	C-10	7.65	C-9	10.1	355	CIPP	8	Yes	Downstream	TFA-262.4-9/	Connect service at 262.4 to liner with PVC pipe with CO

PLOTTED BY: INZAD

PRINTED: 3/19/2024 @ 12:07PM

FILE NAME: S:\4798-Oliver Springs\10-OS ARPA Sewer Rehab\Working Drawings\AutoCAD\4798-10_C-02.dwg

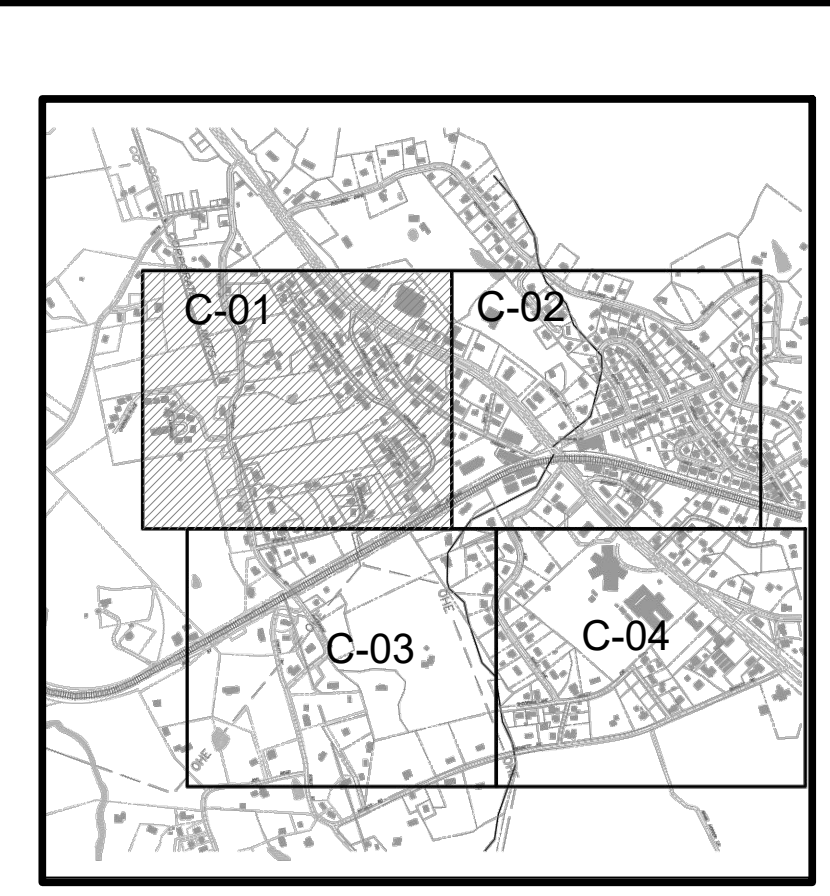
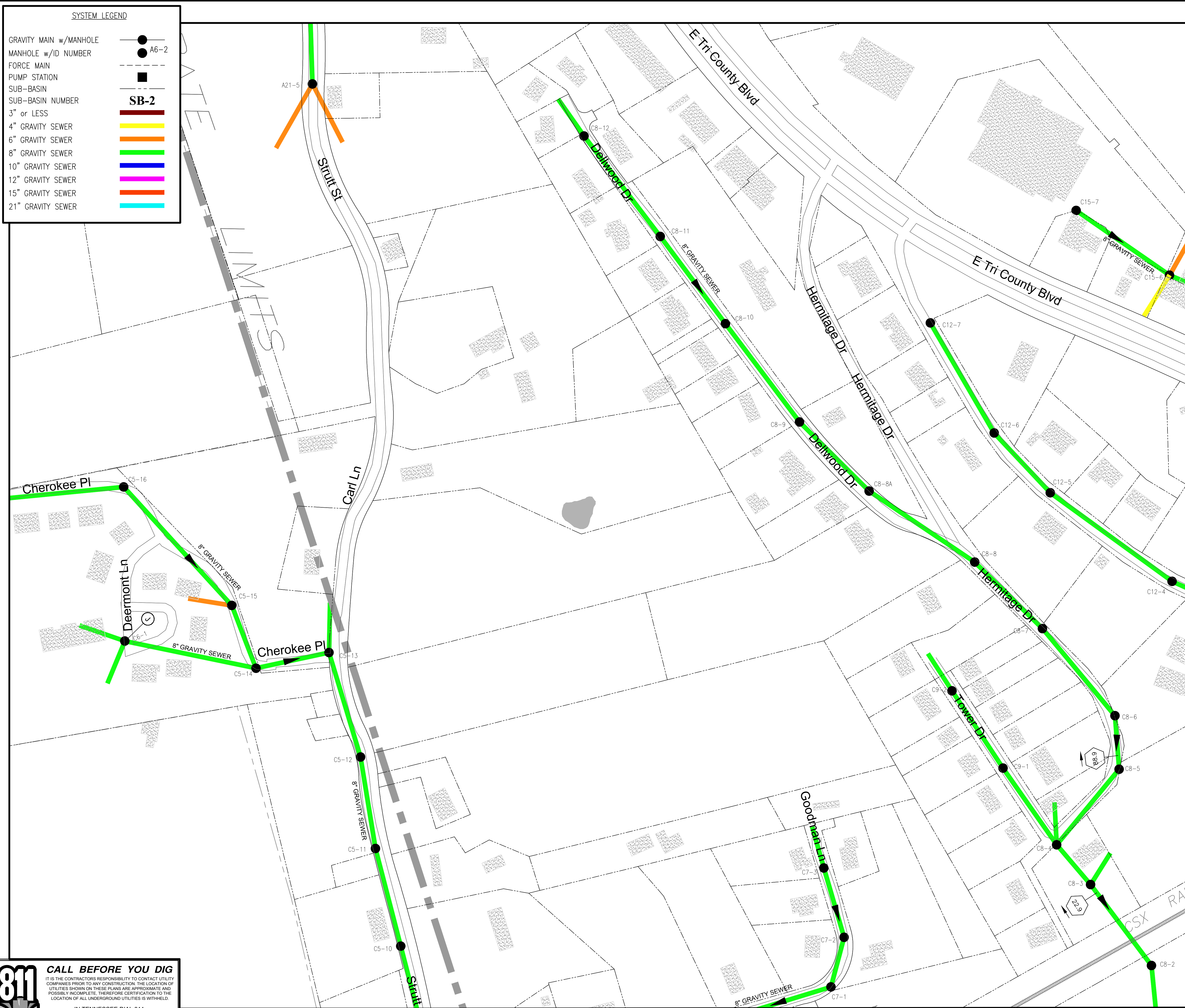
PLOTTED BY: WAZAD

PRINTED: 3/18/2024 @ 2:02PM

FILE NAME: S:\1795-Oliver Springs\10-OS ARPA Sewer Rehab\Working Drawings\AutoCAD\1795-10-New Update_3-5-24-Sewer Rehab.dwg

SYSTEM LEGEND

- GRAVITY MAIN w/MANHOLE
- MANHOLE w/ID NUMBER
- FORCE MAIN
- PUMP STATION
- SUB-BASIN
- SUB-BASIN NUMBER
- 3" or LESS
- 4" GRAVITY SEWER
- 6" GRAVITY SEWER
- 8" GRAVITY SEWER
- 10" GRAVITY SEWER
- 12" GRAVITY SEWER
- 15" GRAVITY SEWER
- 21" GRAVITY SEWER



SEWER REHABILITATION STANDARD LEGEND

ABANDONED SERVICE
 PR 046

POINT REPAIRS
 106 L.F. - 12"

PIPE LINING CP
 112 L.F. - 04"

PIPE LINING PL
 47' 20"

REPAIR CLEANOUT

SERVICE RENEWAL
 CIPP 067

SERVICE REPAIRS
 PI 114

CAPPED SERVICE
 C 048

HEAVY CLEANING
 HC

REPAIR MANHOLE

TO BE CCTV
 TO BE REHAB'D

MANHOLE REHABILITATION

MANHOLE EXTRA DEPTH

- 8 6.1 TO 8.0 DEPTH
- 10 8.1 TO 10.0 DEPTH
- 12 10.1 TO 12.0 DEPTH
- 14 12.1 TO 14.0 DEPTH
- 16 14.1 TO 16.0 DEPTH
- 18 UNKNOWN DEPTH

MANHOLE REPAIRS

- A LOCATE/UNCOVER
- B NON-ENTRY INSPECTION
- C RESET FRAME
- D REPLACE FRAME/COVER
- E REPLACE COVER
- F REPLACE EXISTING WATERTIGHT FRAME & COVER
- G RAISE CASTING
- H MANHOLE REHABILITATION
- I NEW MANHOLE INSTALLATION
- J ADD BENCH TO MANHOLE BOTTOM
- K PLUG & FILL AROUND PIPES

ABBREVIATIONS

- CCTV - CLEAN AND CCTV LINE
- CO - REPLACE CLEANOUT
- CNL - COULD NOT LOCATE
- CP - CURED-IN PLACE LINING
- IR - INTERNAL POINT REPAIR
- L - CLEAN AND LINE MANHOLE
- NA - NOT APPLICABLE
- PE - POLYETHYLENE
- PL - PIPE LINING
- PL/B - PIPE BURSTING
- PL/R - REPLACE PIPE
- PP - PRIVATE PROPERTY
- PR - POINT REPAIR
- PVC - POLYVINYL CHLORIDE
- SL - SLEPPING
- SOS - SERVICES ON SEGMENT
- SR - SERVICE REPAIR

=====
MATCH LINE
=====
SEE SHEET C-02 FOR CONTINUATION

=====
MATCH LINE
=====
SEE SHEET C-03 FOR CONTINUATION

811 CALL BEFORE YOU DIG

IT IS THE CONTRACTOR'S RESPONSIBILITY TO CONTACT UTILITY COMPANIES PRIOR TO ANY CONSTRUCTION. THE LOCATION OF UTILITIES SHOWN ON THESE PLANS ARE APPROXIMATE AND POSSIBLY INCOMPLETE. THEREFORE CERTIFICATION TO THE LOCATION OF ALL UNDERGROUND UTILITIES IS WITHHELD.

IN TENNESSEE DIAL 811
 OR 1-800-351-1111

THREE WORKING DAYS BEFORE YOU DIG



GRW PROJECT NO. 4798-10

ALL RIGHTS RESERVED. NO PART OF THIS DOCUMENT MAY BE REPRODUCED IN WHOLE OR IN PART WITHOUT THE WRITTEN PERMISSION OF GRW ENGINEERS, INC. AND SHALL NOT BE USED FOR ANY OTHER PROJECT OTHER THAN THIS SPECIFIC PROJECT WITHOUT THE WRITTEN PERMISSION.

GRW

engineering | architecture | geospatial

www.grwinc.com

SANITARY SEWER REHABILITATION

SEWER SYSTEM IMPROVEMENTS

TOWN OF OLIVER SPRINGS, TENNESSEE

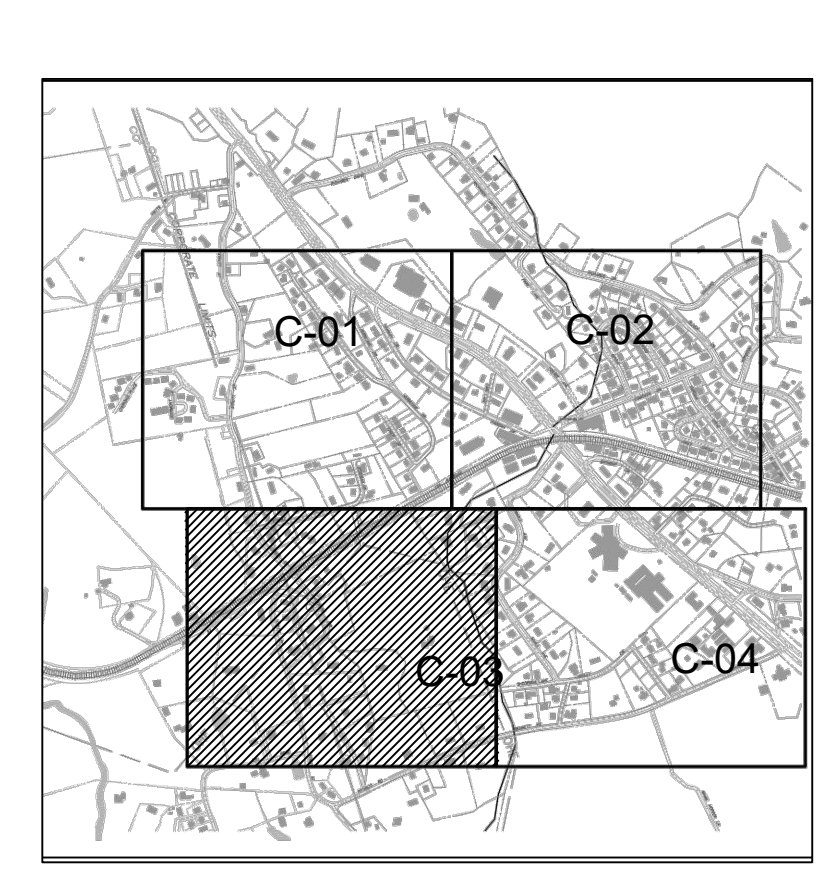
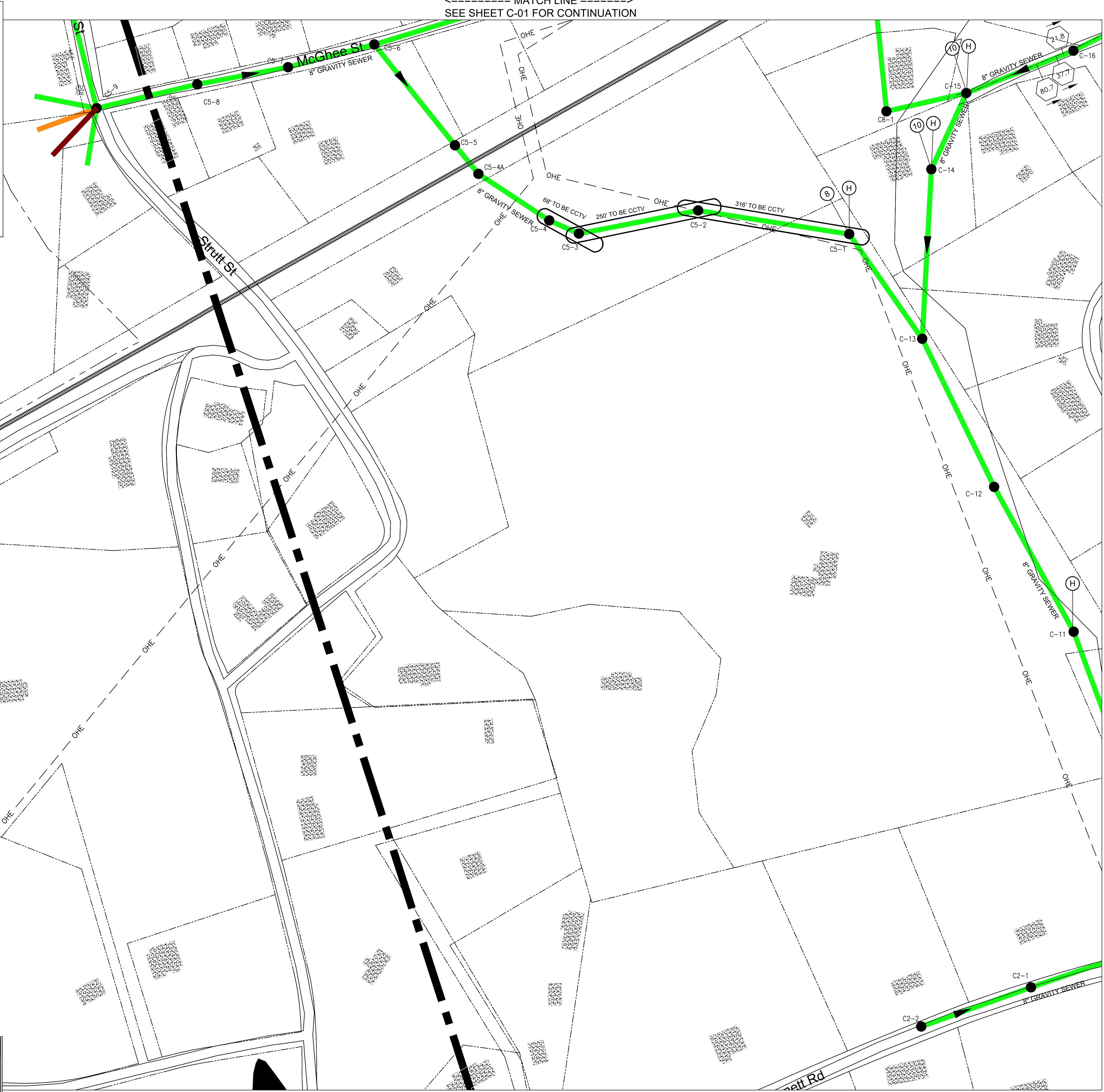
NO.	DATE	DESCRIPTION	DESIGNED	RG	BY	NA	RG	JWH

DATE: JANUARY 2024
 SCALE: 1"=100'
 SHEET NO. **C-01**

=====
MATCH LINE
=====
SEE SHEET C-01 FOR CONTINUATION

SYSTEM LEGEND

- GRAVITY MAIN w/MANHOLE
- MANHOLE w/ID NUMBER
- FORCE MAIN
- PUMP STATION
- SUB-BASIN
- SUB-BASIN NUMBER **SB-2**
- 3" or LESS
- 4" GRAVITY SEWER
- 6" GRAVITY SEWER
- 8" GRAVITY SEWER
- 10" GRAVITY SEWER
- 12" GRAVITY SEWER
- 15" GRAVITY SEWER
- 21" GRAVITY SEWER



SEWER REHABILITATION STANDARD LEGEND

- ABANDONED SERVICE
- SERVICE RENEWAL
- POINT REPAIRS
- SERVICE REPAIRS
- PIPE LINING CP
- CAPPED SERVICE
- PIPE LINING PL
- HEAVY CLEANING
- REPAIR CLEANOUT
- REPAIR MANHOLE
- TO BE CCTV
- TO BE REHAB'D

MANHOLE REHABILITATION

MANHOLE EXTRA DEPTH

- (8) 6.1 TO 8.0 DEPTH
- (10) 8.1 TO 10.0 DEPTH
- (12) 10.1 TO 12.0 DEPTH
- (14) 12.1 TO 14.0 DEPTH
- (16) 14.1 TO 16.0 DEPTH
- (NA) UNKNOWN DEPTH

MANHOLE REPAIRS

- (A) LOCATE/UNCOVER
- (B) NON-ENTRY INSPECTION
- (C) RESET FRAME
- (D) REPLACE FRAME/COVER
- (E) REPLACE COVER
- (F) REPLACE EXISTING WATERTIGHT FRAME & COVER
- (G) RAISE CASTING
- (H) MANHOLE REHABILITATION
- (I) NEW MANHOLE INSTALLATION
- (J) ADD BENCH TO MANHOLE BOTTOM
- (K) PLUG & FILL AROUND PIPES

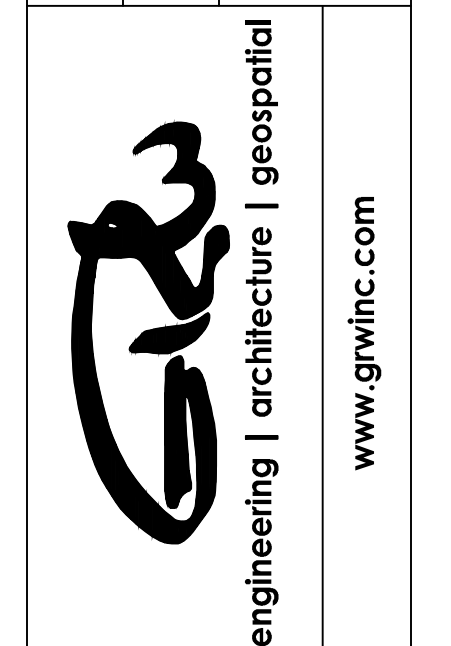
ABBREVIATIONS

- CCTV - CLEAN AND CCTV LINE
- CO - REPLACE CLEANOUT
- CNL - COULD NOT LOCATE
- CP - CURED-IN-PLACE LINING
- IR - INTERNAL POINT REPAIR
- L - CLEAN AND LINE MANHOLE
- NA - NOT APPLICABLE
- PE - POLYETHYLENE
- PL - PIPE LINING
- PL/B - PIPE BURSTING
- PL/R - REPLACE PIPE
- PP - PRIVATE PROPERTY
- PR - POINT REPAIR
- PVC - POLYVINYL CHLORIDE
- SL - SLIP LING
- SOS - SERVICES ON SEGMENT
- SR - SERVICE REPAIR



GRW PROJECT NO. 4798-10

ALL RIGHTS RESERVED. NO PART OF THIS DOCUMENT IS TO BE REPRODUCED IN WHOLE OR IN PART WITHOUT THE WRITTEN PERMISSION OF GRW ENGINEERS, INC. AND SHALL NOT BE USED FOR ANY OTHER PROJECT OTHER THAN THIS SPECIFIC PROJECT WITHOUT THE WRITTEN PERMISSION.



SANITARY SEWER REHABILITATION

SEWER SYSTEM IMPROVEMENTS

TOWN OF OLIVER SPRINGS, TENNESSEE

DESIGNED	RG	NA	RG	JWH
DATE	BY	DATE	DATE	DATE

DATE: JANUARY 2024

SCALE: 1"=100'

SHEET NO. C-03

FILE NAME: C:\4798-Oliver Springs\10-OS ARPA Sewer Rehab\Working Drawings\AutoCAD\4798-10_New Update_3-5-24_Sewer Rehab.dwg
 PRINTED: 3/18/2024 @ 2:05PM
 PLOTTED BY: Nazad

811 CALL BEFORE YOU DIG

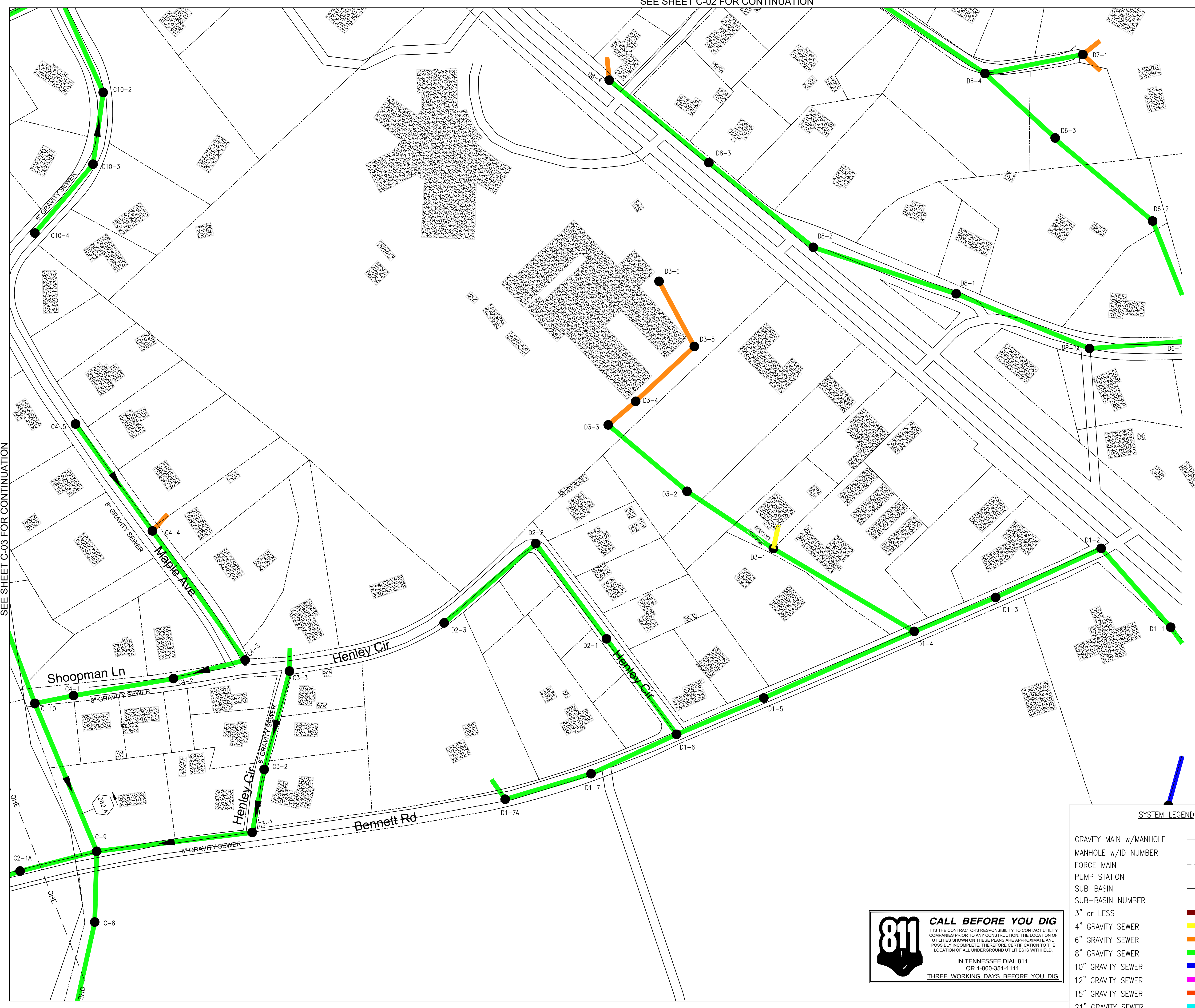
IT IS THE CONTRACTOR'S RESPONSIBILITY TO CONTACT UTILITY COMPANIES PRIOR TO ANY CONSTRUCTION. THE LOCATION OF UTILITIES SHOWN ON THESE PLANS ARE APPROXIMATE AND POSSIBLY INCOMPLETE. THEREFORE CERTIFICATION TO THE LOCATION OF ALL UNDERGROUND UTILITIES IS WITHHELD.

IN TENNESSEE DIAL 811 OR 1-800-351-1111
THREE WORKING DAYS BEFORE YOU DIG

=====
MATCH LINE
=====
SEE SHEET C-02 FOR CONTINUATION

FILE NAME: S:\4798-Oliver Springs\10-OS ARPA Sewer Rehab\Working Drawings\AutoCAD\798-10_New Update_3-5-24_Sewer Rehab.dwg
 PRINTED: 3/18/2024 @ 2:06PM
 PLOTTED BY: Nazad

=====
MATCH LINE
=====
SEE SHEET C-03 FOR CONTINUATION



811 CALL BEFORE YOU DIG

IT IS THE CONTRACTOR'S RESPONSIBILITY TO CONTACT UTILITY COMPANIES PRIOR TO ANY CONSTRUCTION. THE LOCATION OF UTILITIES SHOWN ON THESE PLANS ARE APPROXIMATE AND POSSIBLY INCOMPLETE. THEREFORE CERTIFICATION TO THE LOCATION OF ALL UNDERGROUND UTILITIES IS WITHHELD.

IN TENNESSEE DIAL 811
OR 1-800-351-1111
THREE WORKING DAYS BEFORE YOU DIG

SYSTEM LEGEND

GRAVITY MAIN w/MANHOLE	●
MANHOLE w/D NUMBER	● A6-2
FORCE MAIN	—
PUMP STATION	■
SUB-BASIN	—
SUB-BASIN NUMBER	SB-2
3" or LESS	—
4" GRAVITY SEWER	—
6" GRAVITY SEWER	—
8" GRAVITY SEWER	—
10" GRAVITY SEWER	—
12" GRAVITY SEWER	—
15" GRAVITY SEWER	—
21" GRAVITY SEWER	—

SEWER REHABILITATION STANDARD LEGEND

ABANDONED SERVICE A 0.5 PR 0.46	SERVICE RENEWAL CIPP 0.67 PL 114
POINT REPAIRS 106 L.F. - 12"	SERVICE REPAIRS C 0.43 112 L.F. - 04"
PIPE LINING CP 112 L.F. - 04"	CAPPED SERVICE HC 112 L.F. - 04"
PIPE LINING PL 47 20'L	HEAVY CLEANING H
REPAIR CLEANOUT TO BE CCTV	REPAIR MANHOLE TO BE REHAB'D

MANHOLE REHABILITATION

MANHOLE EXTRA DEPTH

Ⓚ	6.1 TO 8.0 DEPTH
Ⓛ	8.1 TO 10.0 DEPTH
Ⓜ	10.1 TO 12.0 DEPTH
Ⓝ	12.1 TO 14.0 DEPTH
Ⓟ	14.1 TO 16.0 DEPTH
ⓃA	UNKNOWN DEPTH

MANHOLE REPAIRS

Ⓐ	LOCATE/UNCOVER
Ⓑ	NON-ENTRY INSPECTION
Ⓒ	RESET FRAME
Ⓓ	REPLACE FRAME/COVER
Ⓔ	REPLACE COVER
Ⓕ	REPLACE EXISTING WATERTIGHT FRAME & COVER
Ⓖ	RAISE CASTING
Ⓗ	MANHOLE REHABILITATION
Ⓘ	NEW MANHOLE INSTALLATION
Ⓝ	ADD BENCH TO MANHOLE BOTTOM
Ⓚ	PLUG & FILL AROUND PIPES

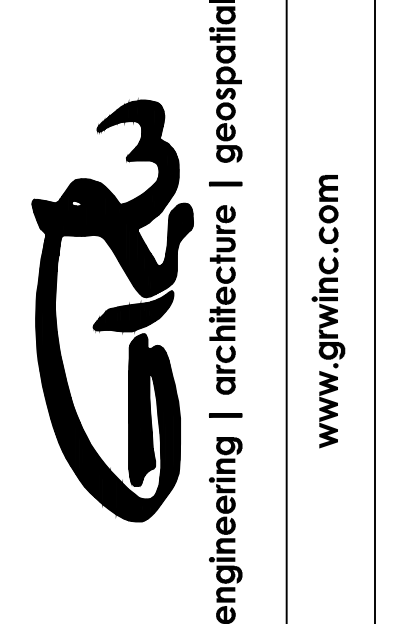
ABBREVIATIONS

CCTV	-	CLEAN AND CCTV LINE
CO	-	REPLACE CLEANOUT
CNL	-	COULD NOT LOCATE
CP	-	CURED-IN-PLACE LINING
IR	-	INTERNAL POINT REPAIR
L	-	CLEAN AND LINE MANHOLE
NA	-	NOT APPLICABLE
PE	-	POLYETHYLENE
PL	-	PIPE LINING
PL/B	-	PIPE BURSTING
PL/R	-	REPLACE PIPE
PP	-	PRIVATE PROPERTY
PR	-	POINT REPAIR
PVC	-	POLYVINYL CHLORIDE
SL	-	SLIP Lining
SOS	-	SERVICES ON SEGMENT
SR	-	SERVICE REPAIR



GRW PROJECT NO. 4798-10

ALL RIGHTS RESERVED. NO PART OF THIS DOCUMENT IS TO BE REPRODUCED IN WHOLE OR IN PART WITHOUT THE WRITTEN PERMISSION OF GRW ENGINEERS, INC. AND SHALL NOT BE USED FOR ANY OTHER PROJECT WITHOUT THE WRITTEN PERMISSION.



SANITARY SEWER REHABILITATION

SEWER SYSTEM IMPROVEMENTS

TOWN OF OLIVER SPRINGS, TENNESSEE

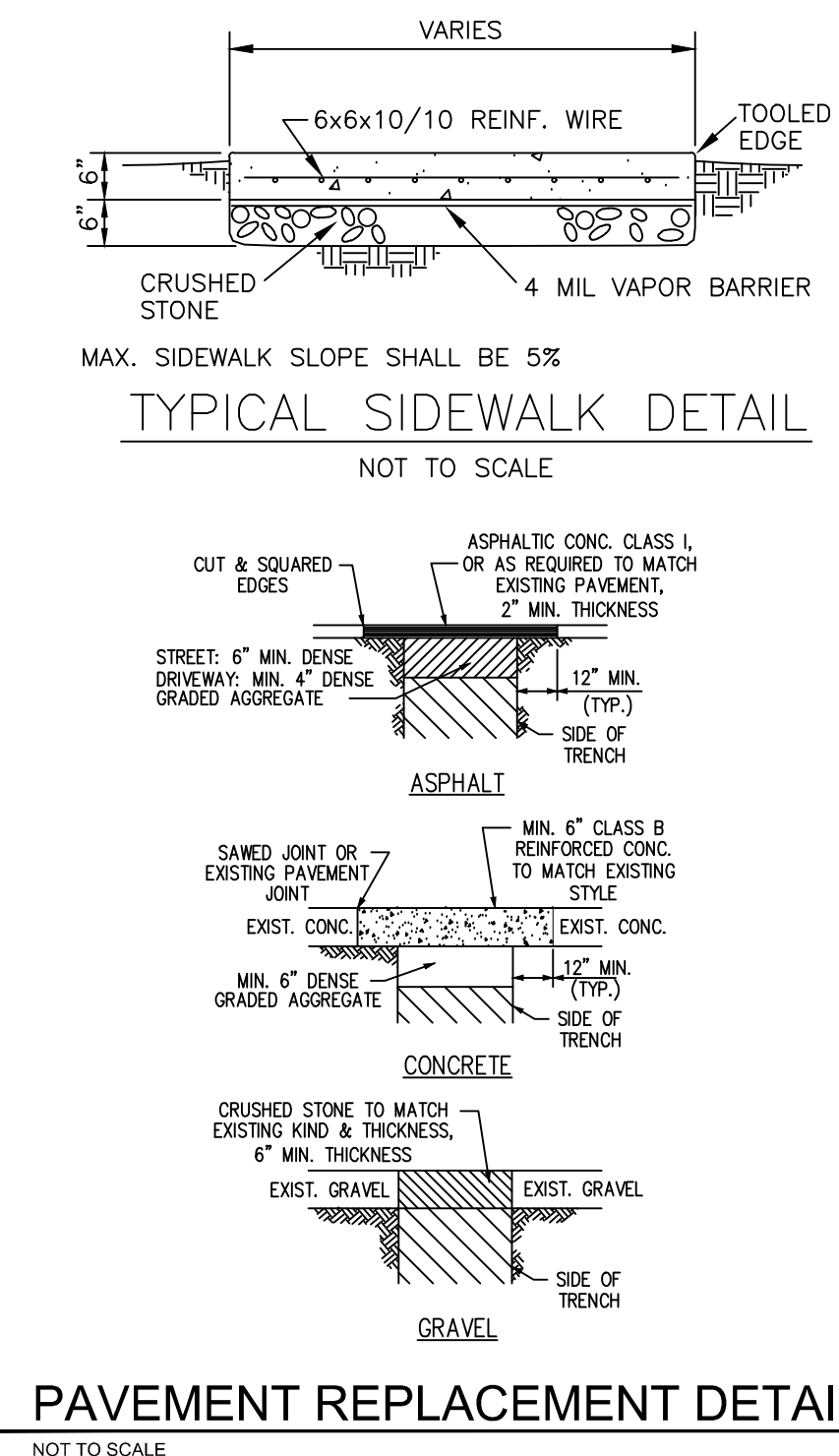
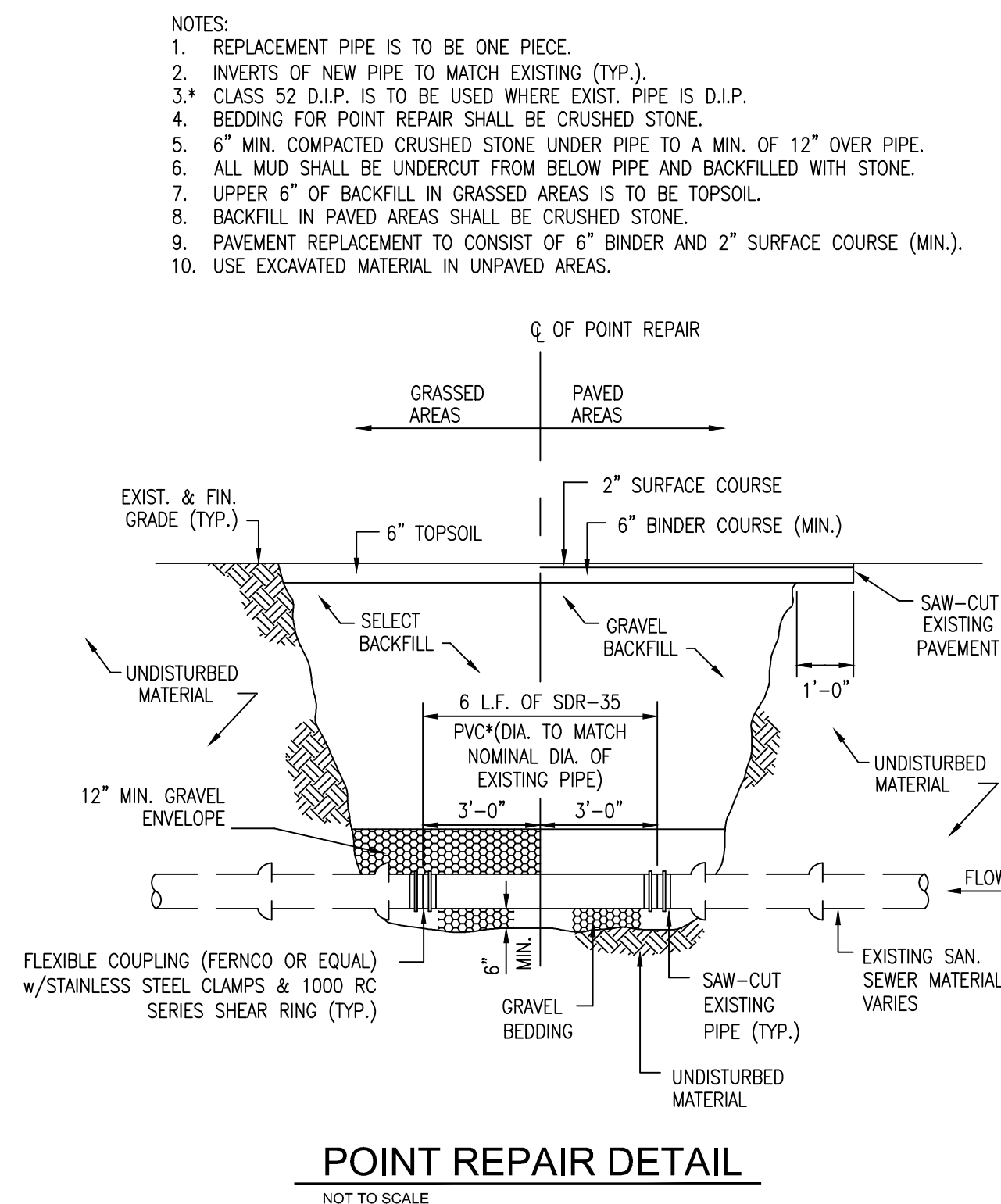
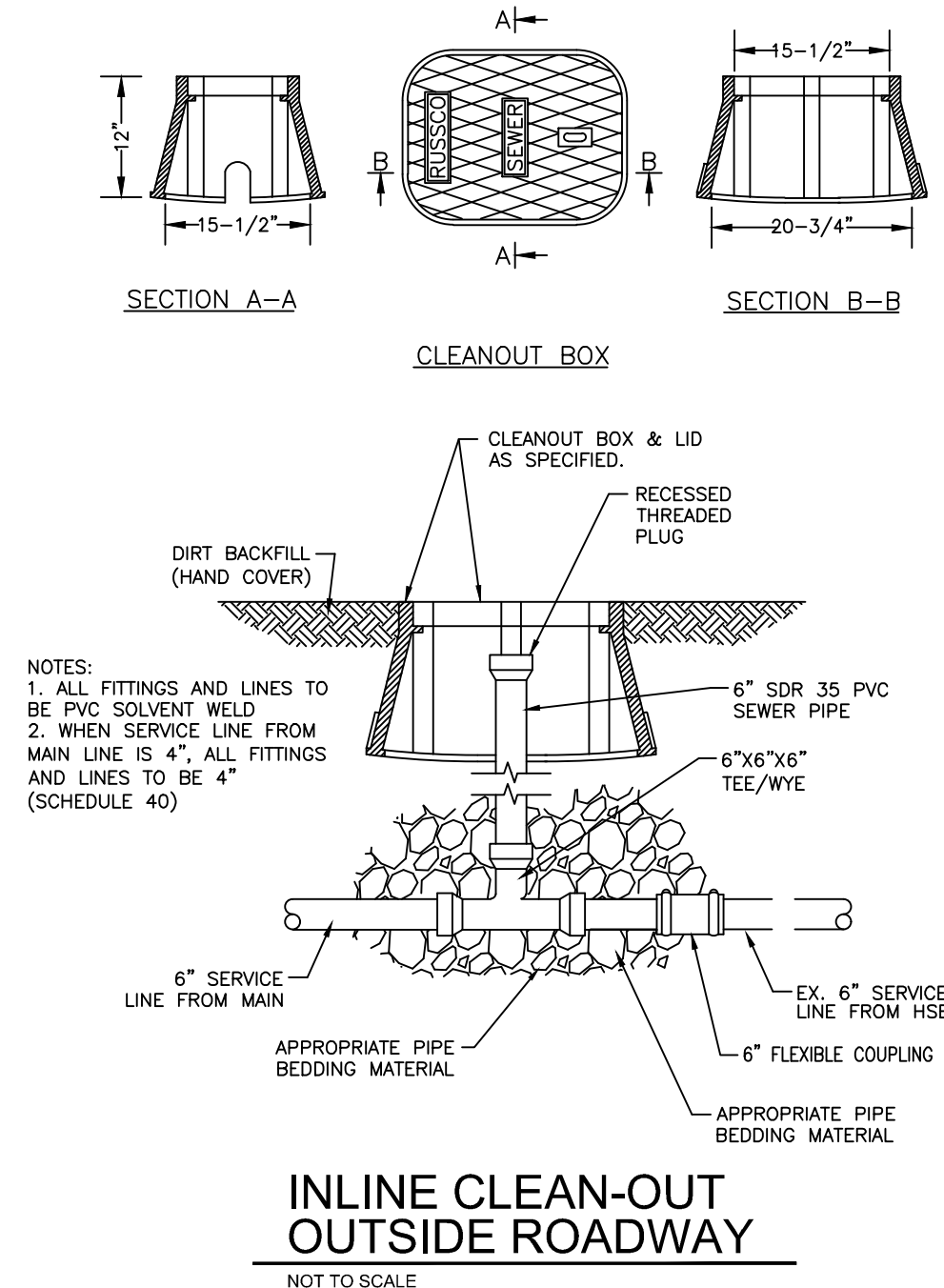
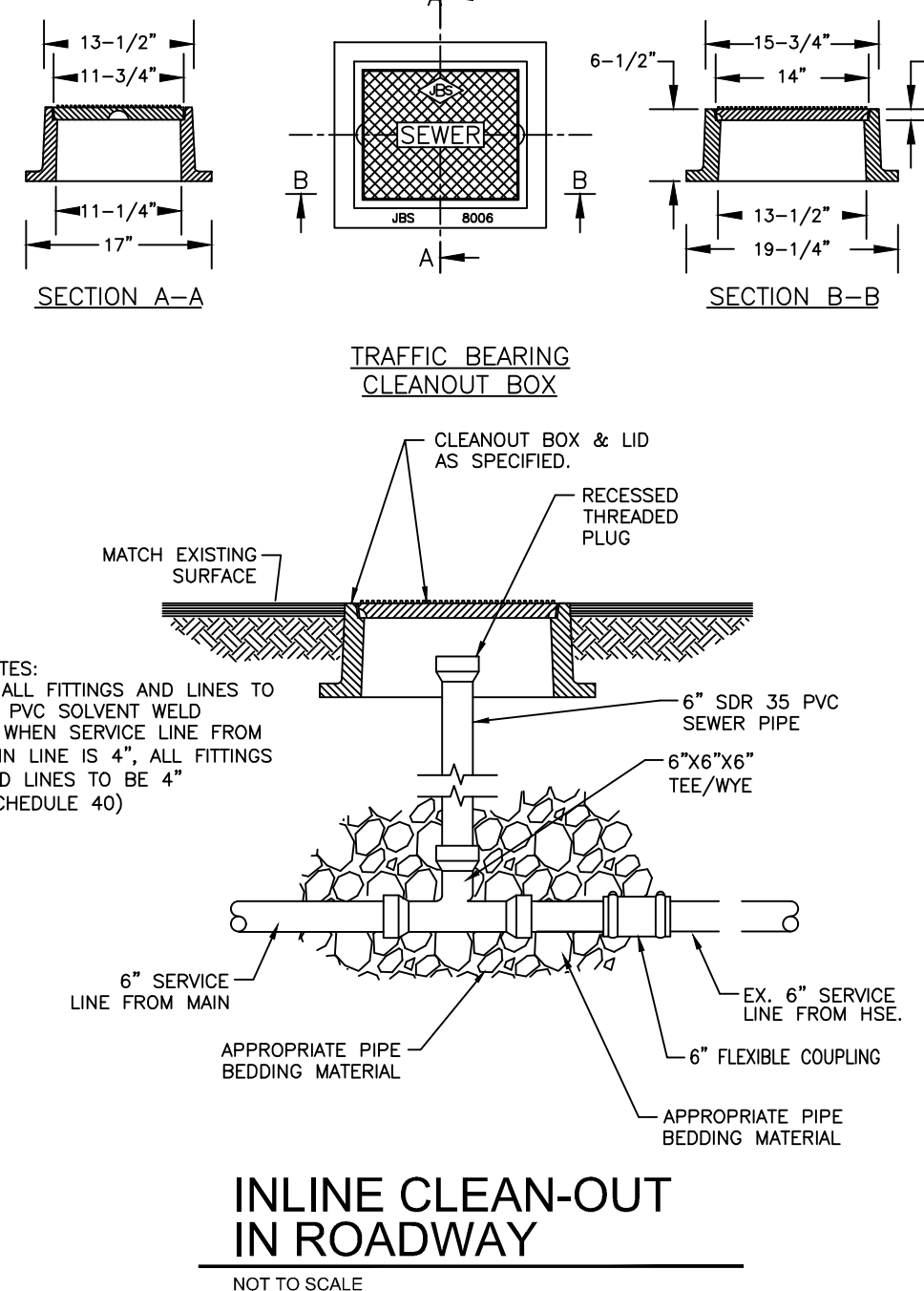
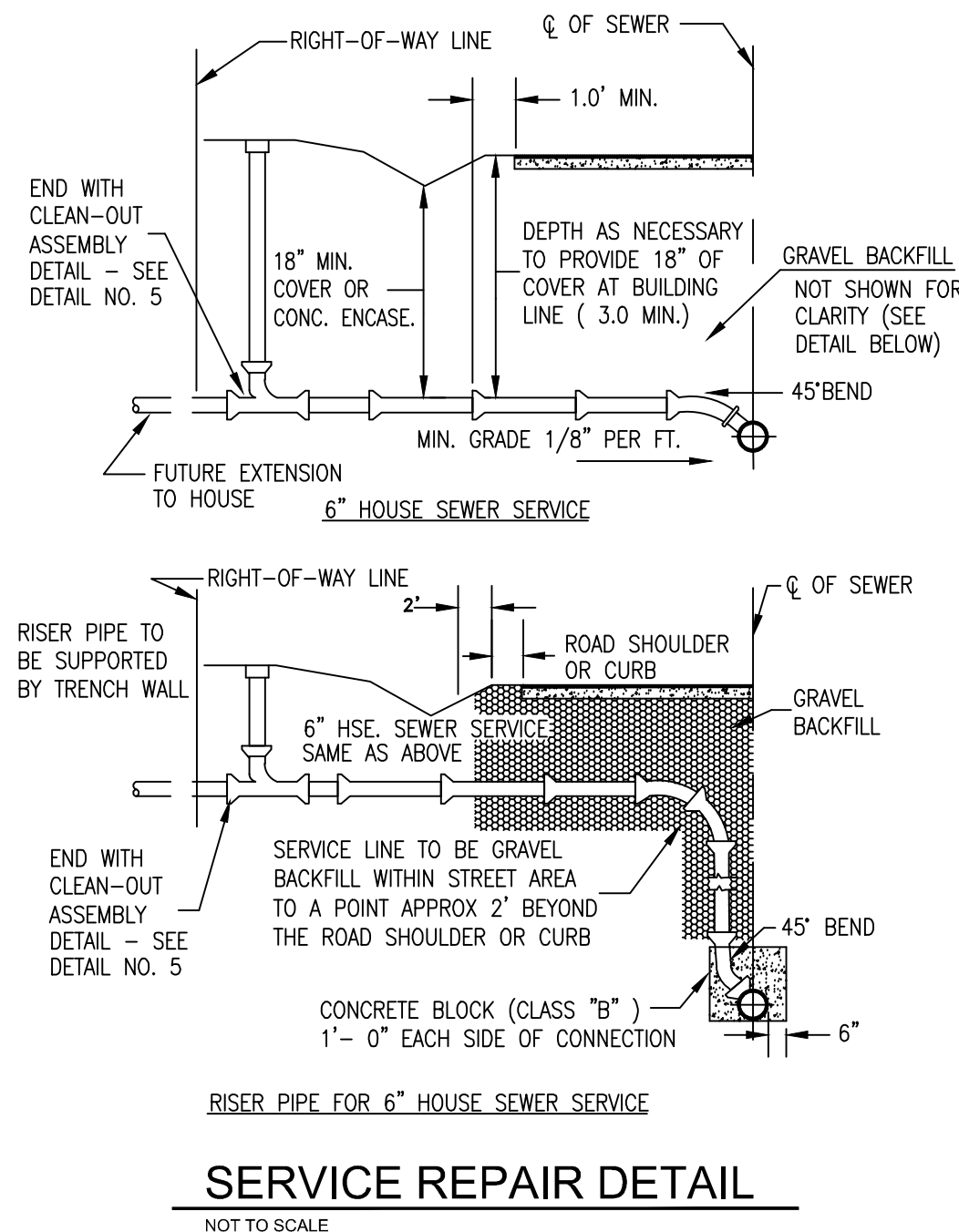
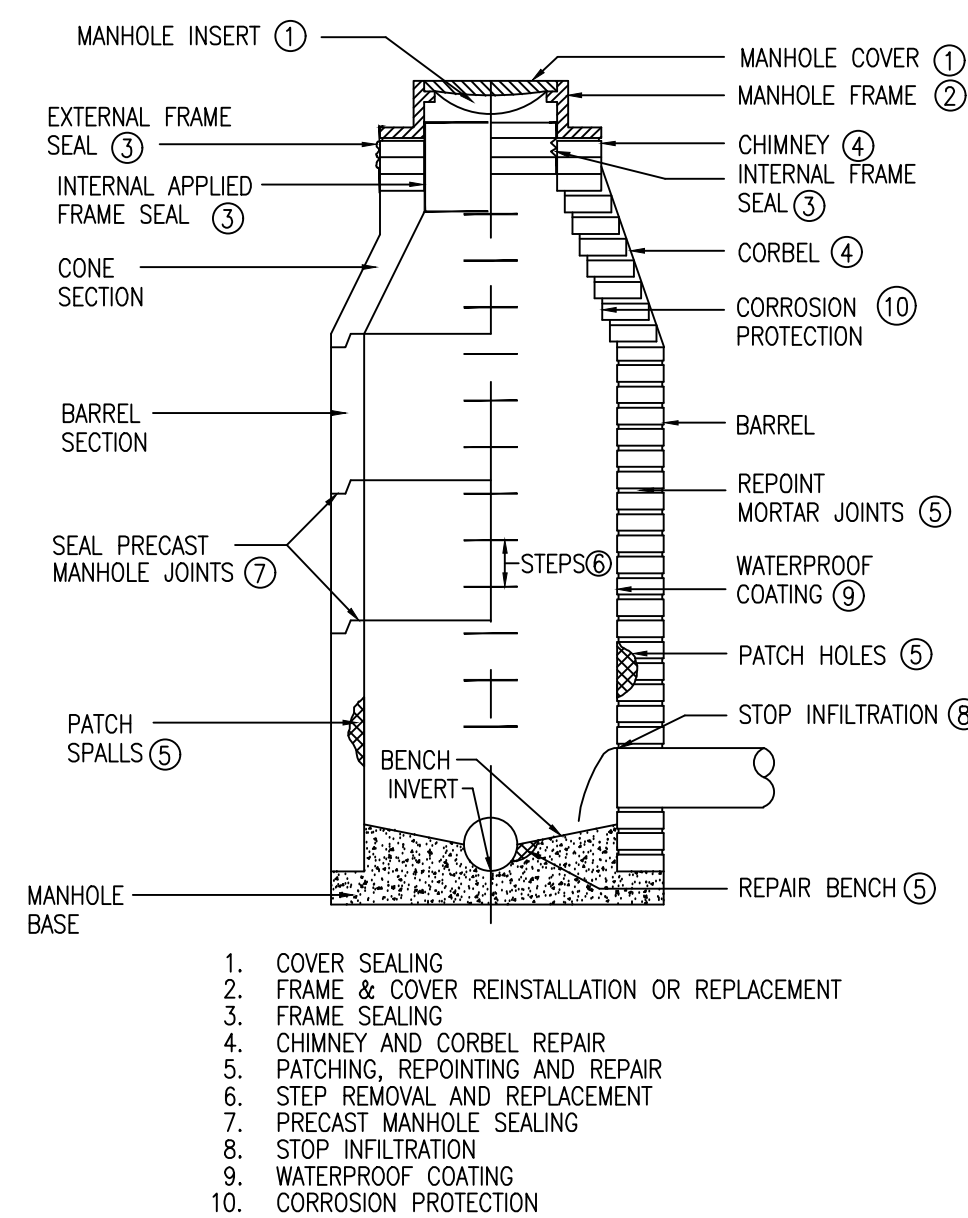
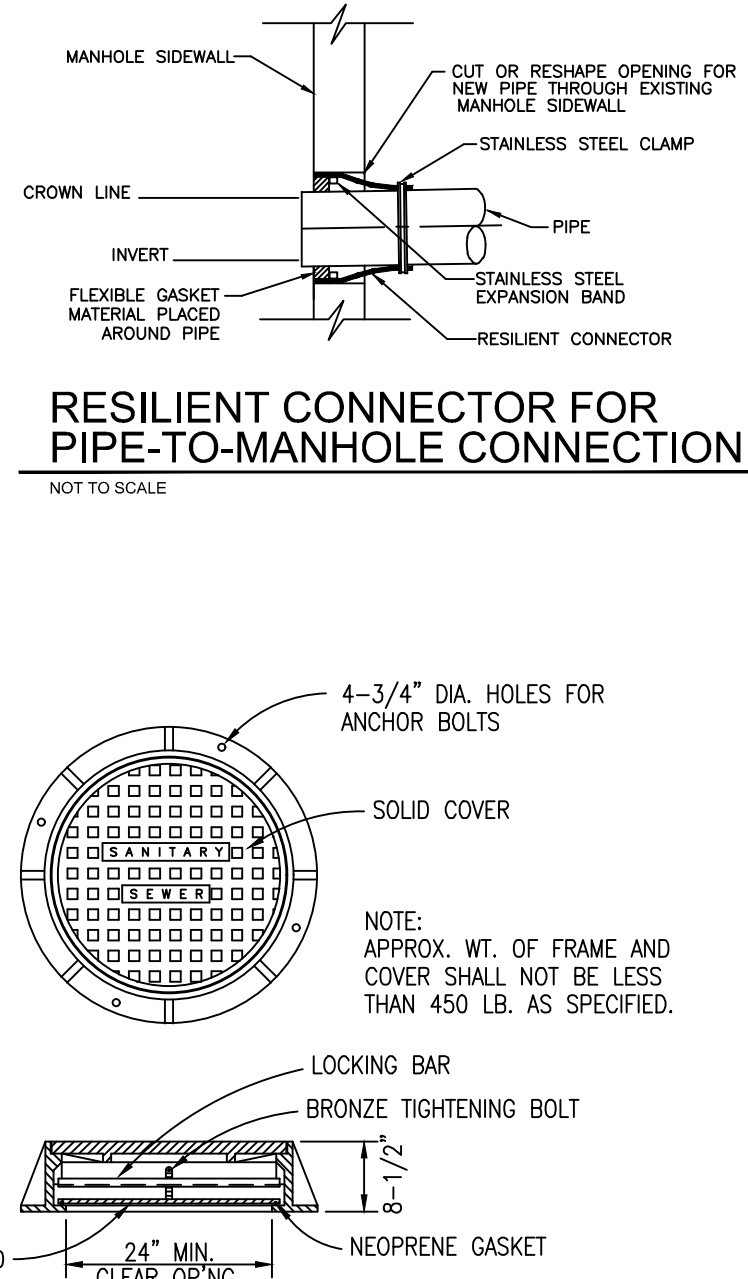
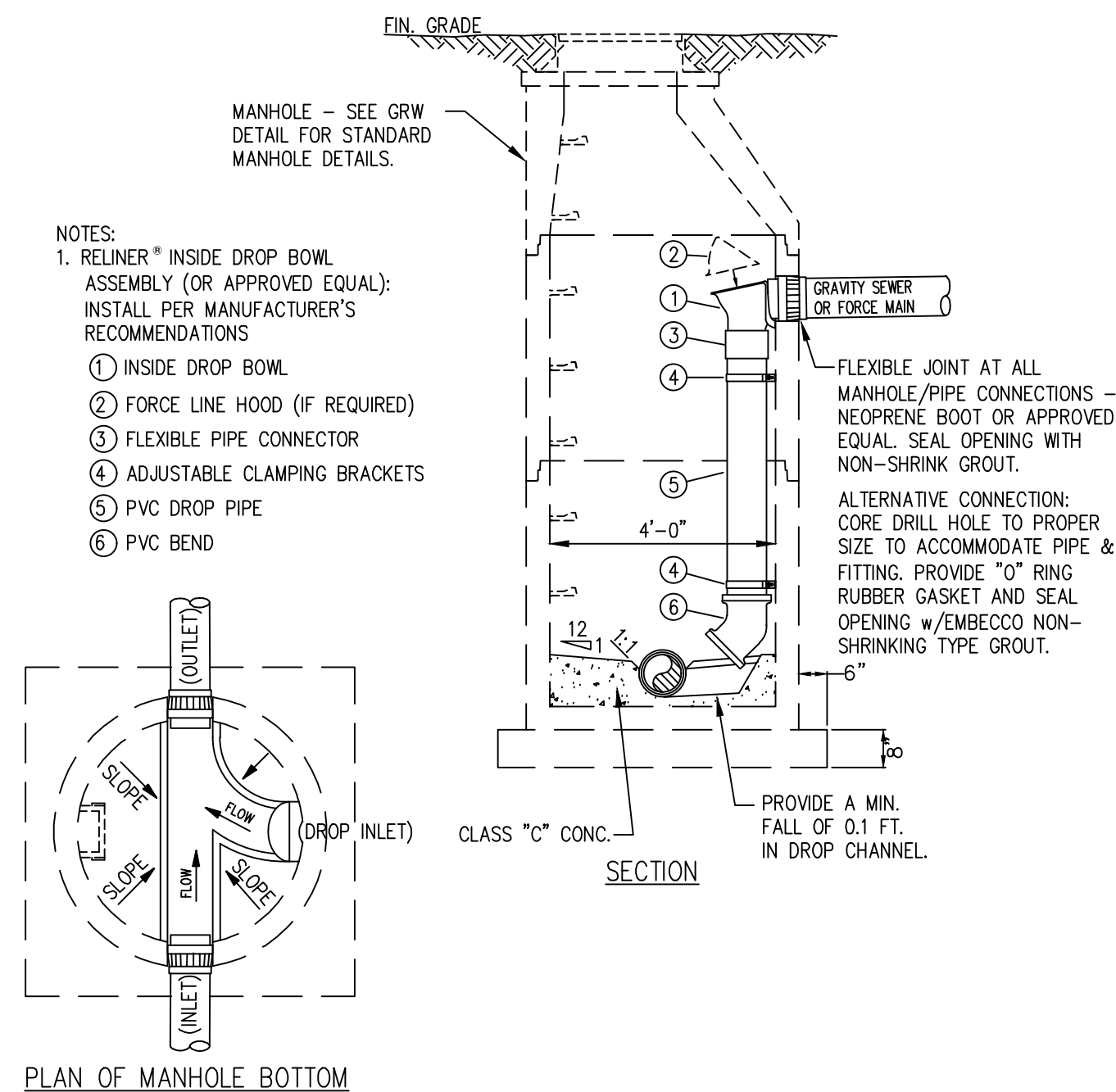
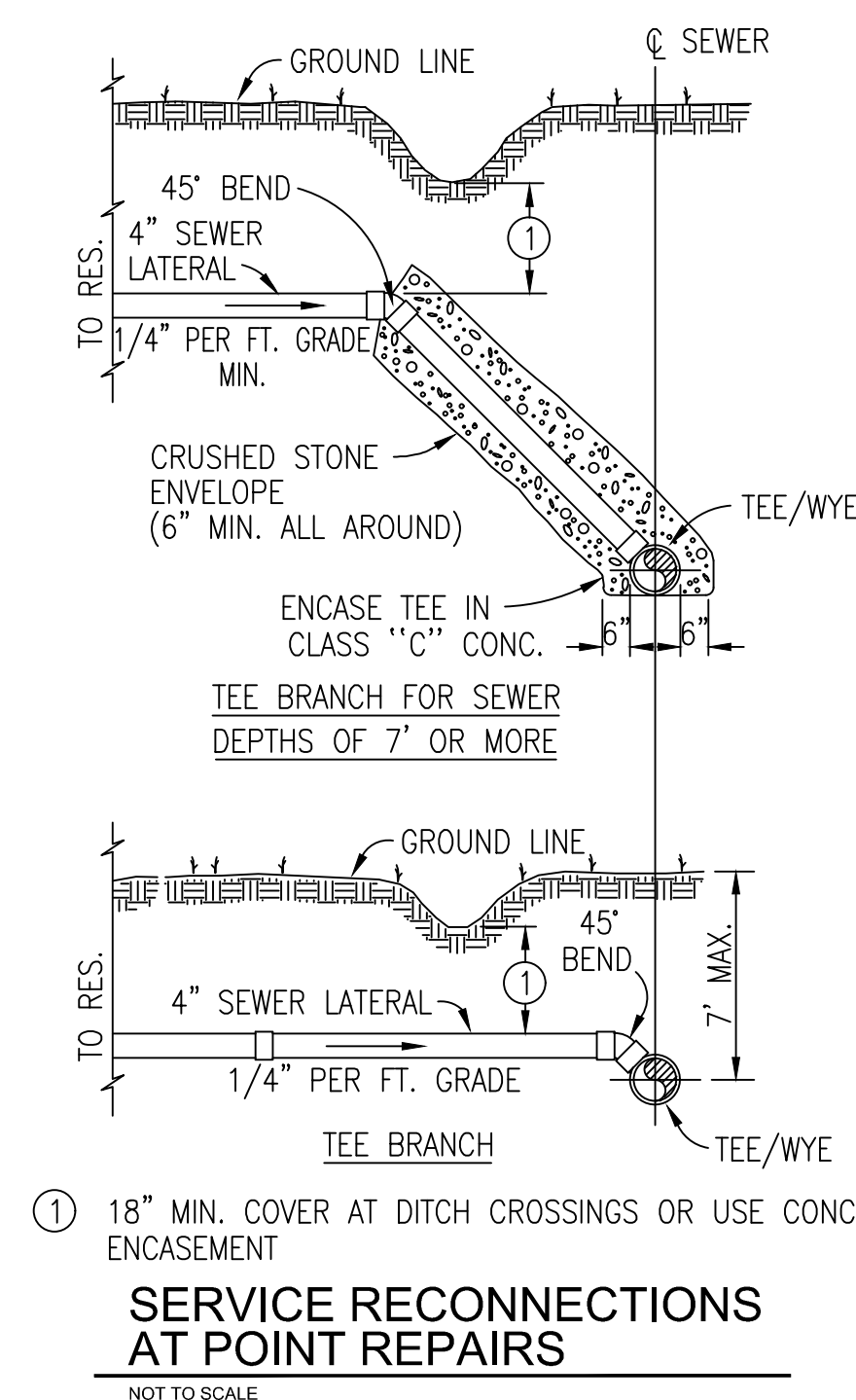
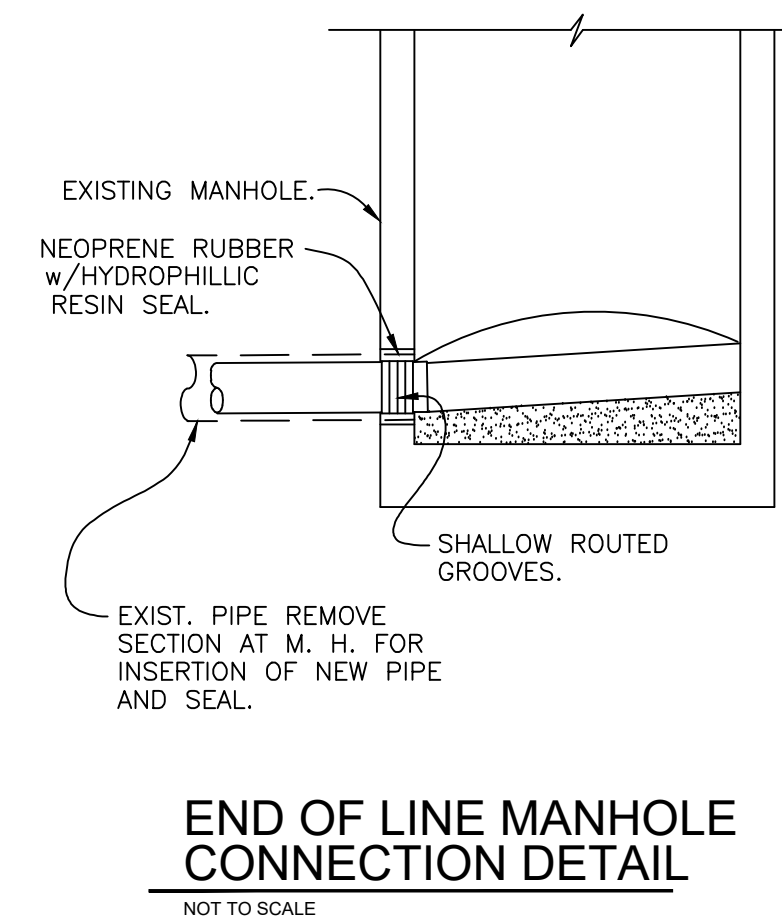
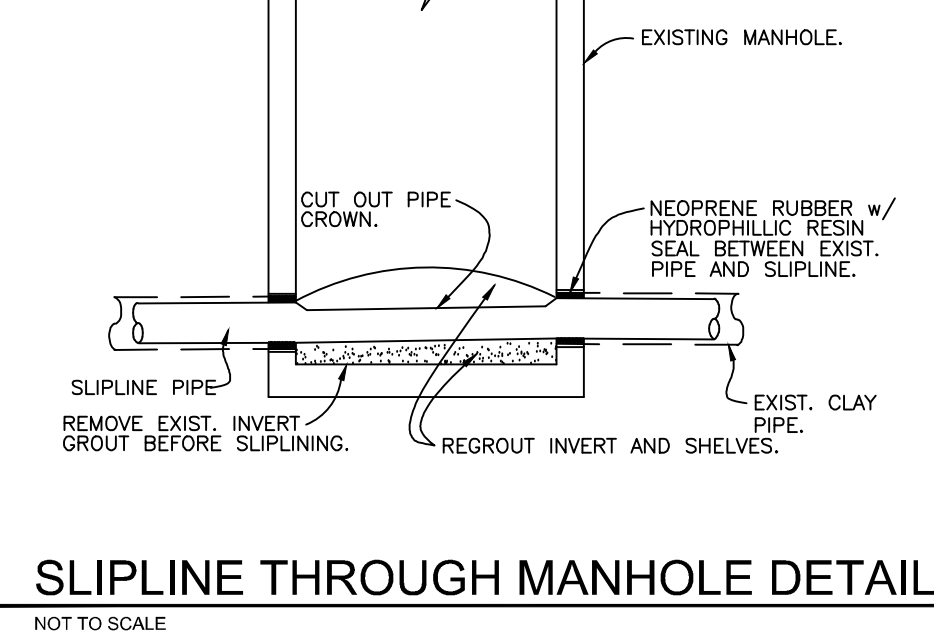
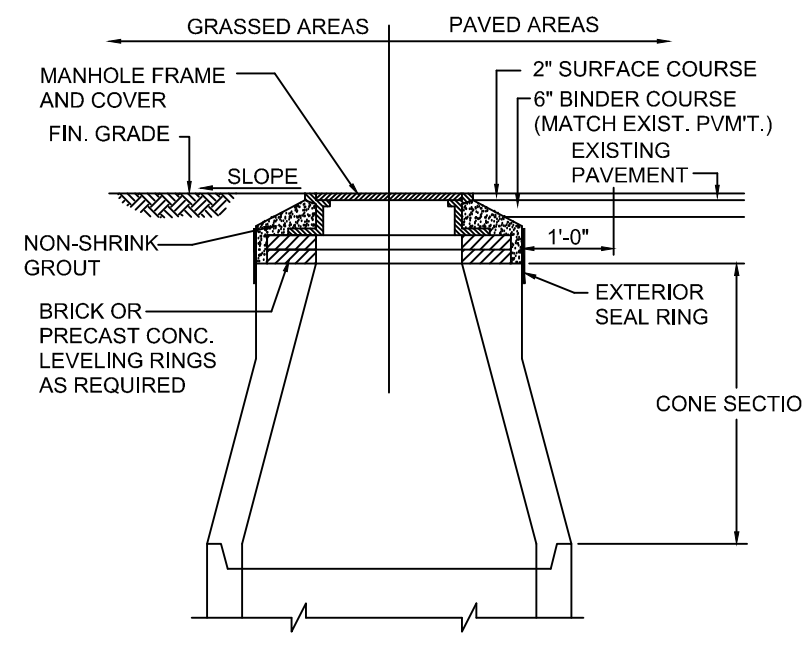
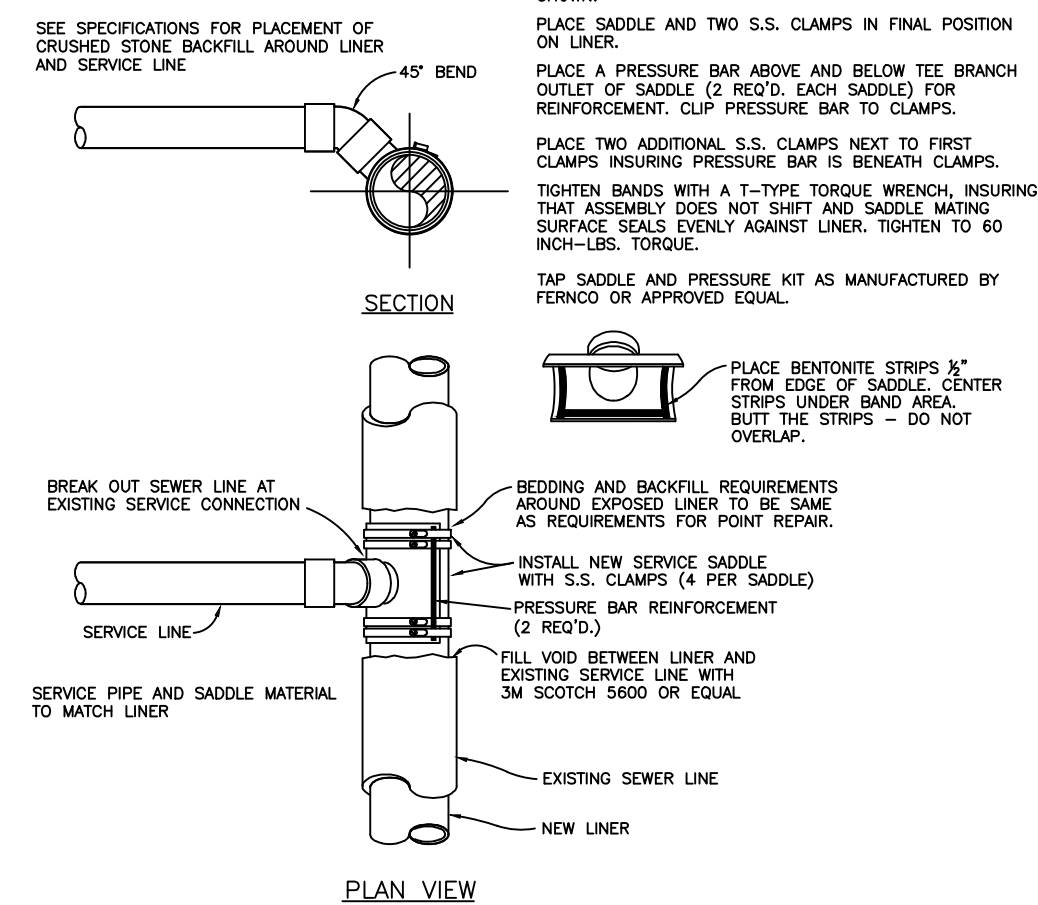
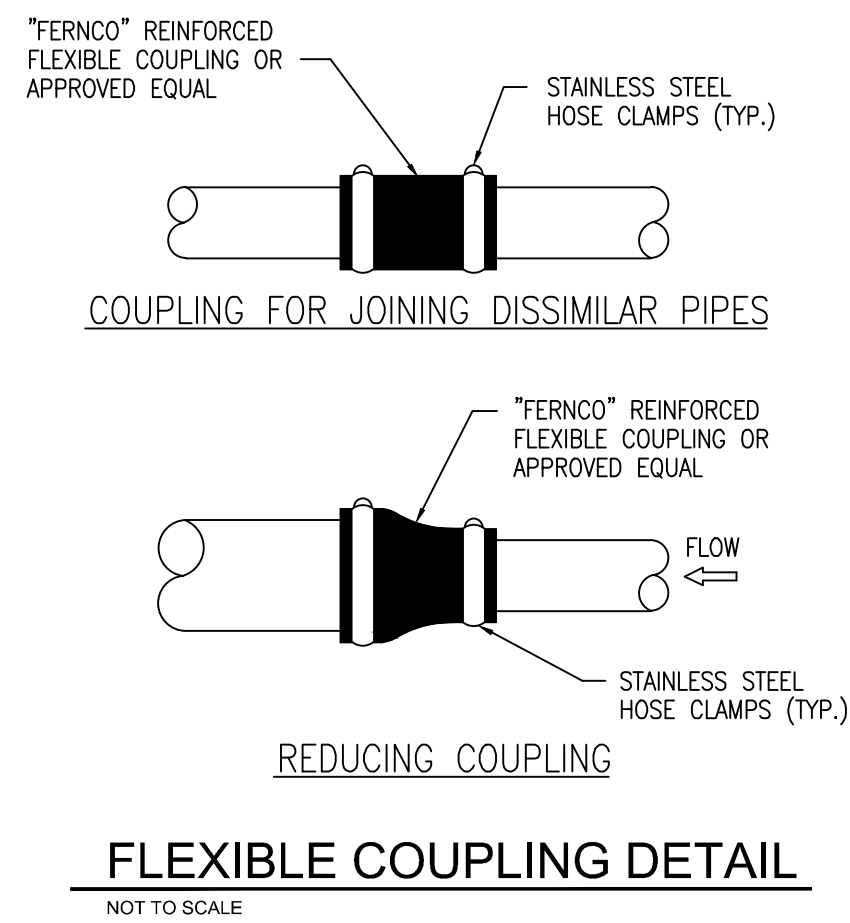
NO.	DATE	DESCRIPTION	DESIGNED	BY	DRAWN	REVIEWED	APPROVED

SCALE CHECK: THIS MARK SHOULD MEASURE EXACTLY 1" WHEN PLOTTED

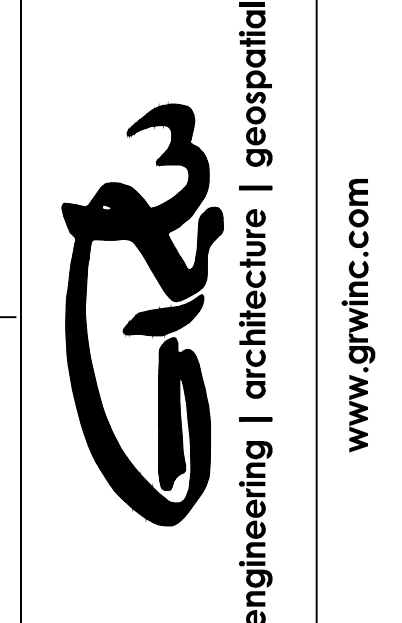
DATE: **JANUARY 2024**

SCALE: **1"=100'**

SHEET NO. **C-04**



GRW PROJECT NO. 4798-10



STANDARD SEWER REHABILITATION DETAILS

SEWER SYSTEM IMPROVEMENTS
TOWN OF OLIVER SPRINGS, TENNESSEE

DESIGNED	BY	DATE	REVISIONS
RGT	NA		
RGT			
JWH			

DATE: JANUARY 2024
SCALE: NOT TO SCALE
SHEET NO.

SD-01

PLOTTED BY: Nvazad

PRINTED: 3/18/2024 @ 2:08PM

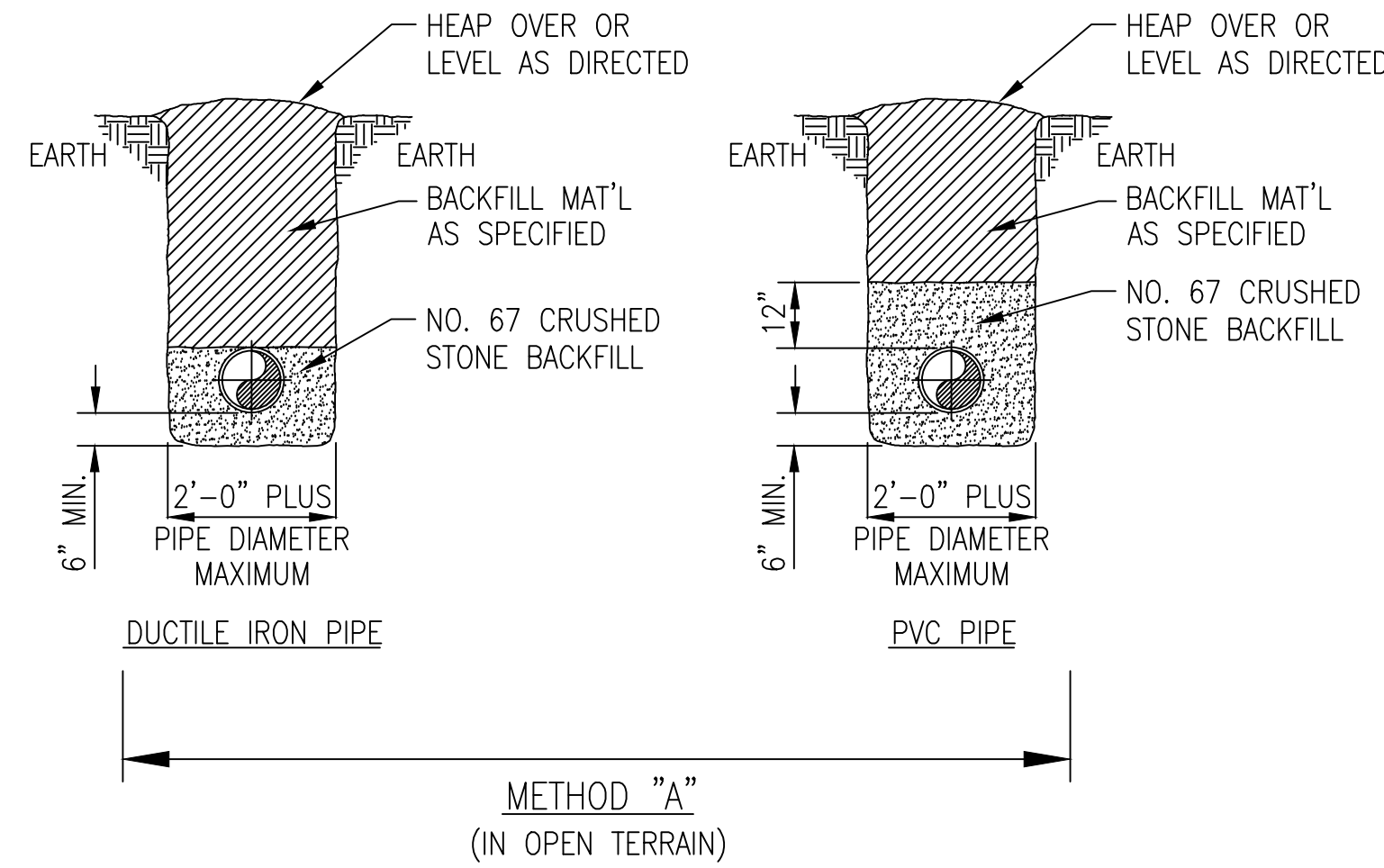
FILE NAME: S:\4798-Oliver Springs\10-OS ARPA Sewer Rehab\Working Drawings\AutoCAD\4798-10_New Update_3-5-24_Sewer Rehab.dwg

PLOTTED BY: INAZAD

PRINTED: 3/18/2024 @ 2:08PM

FILE NAME: G:\1798-Oliver Springs\10-OS ARPA Sewer Rehab\Working Drawings\AutoCAD\1798-10_New Update_3-5-24_Sewer Rehab.dwg

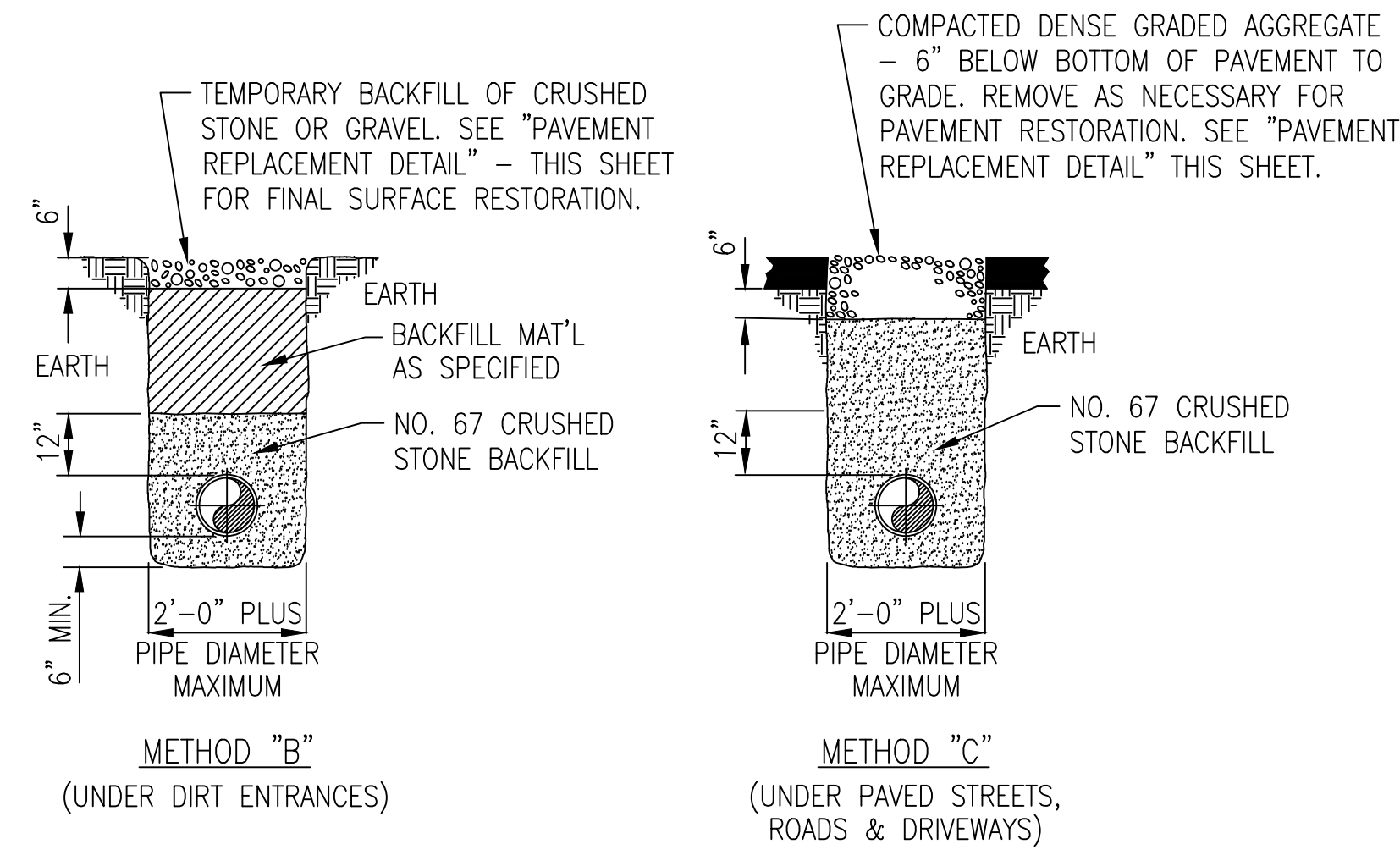
NOTE: SEE SPECIFICATIONS FOR DEPTH REQUIREMENT OF SEWER PIPE.



METHOD "A" (IN OPEN TERRAIN)

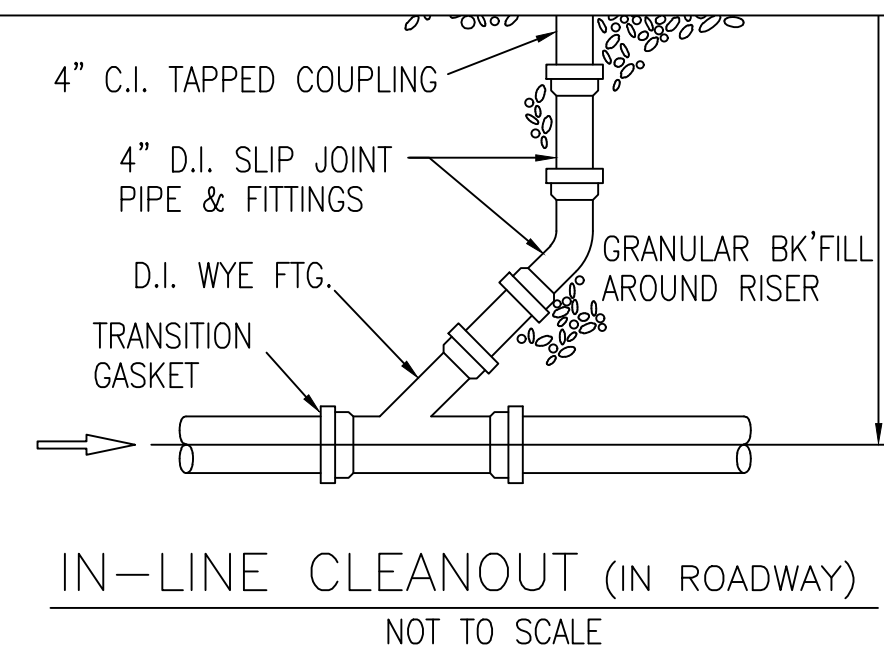
STANDARD GRAVITY SEWER BEDDING AND BACKFILLING

NOT TO SCALE

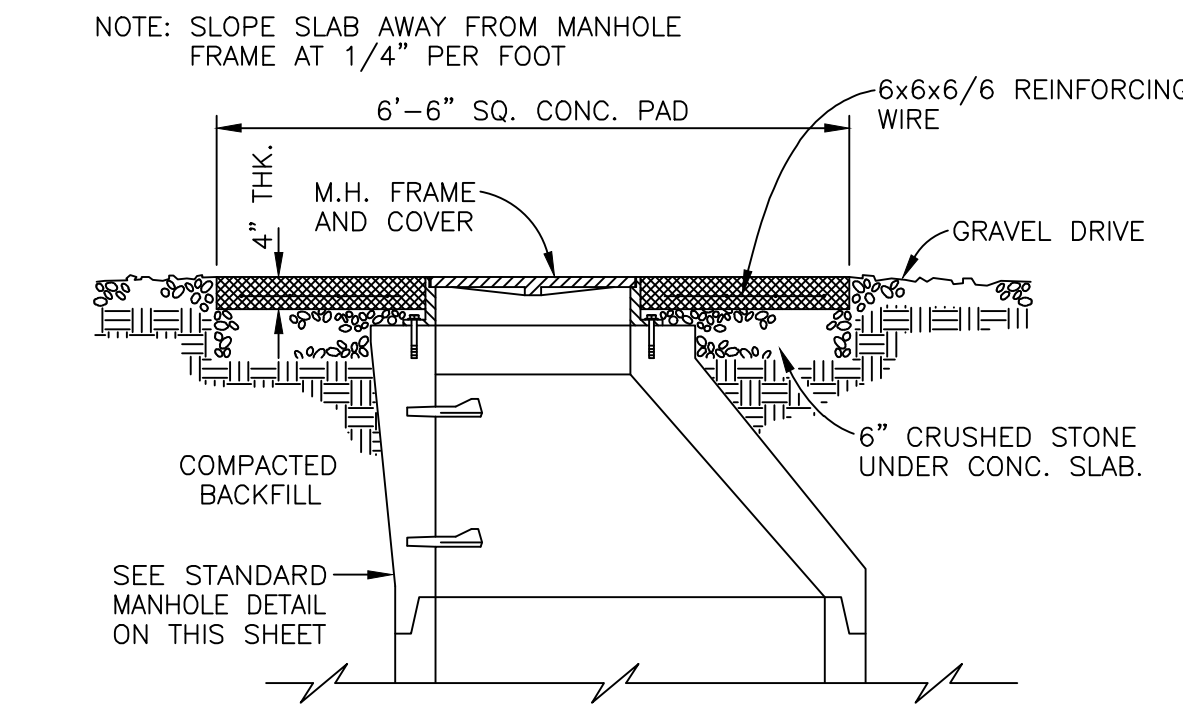


METHOD "B" (UNDER DIRT ENTRANCES)

METHOD "C" (UNDER PAVED STREETS, ROADS & DRIVEWAYS)

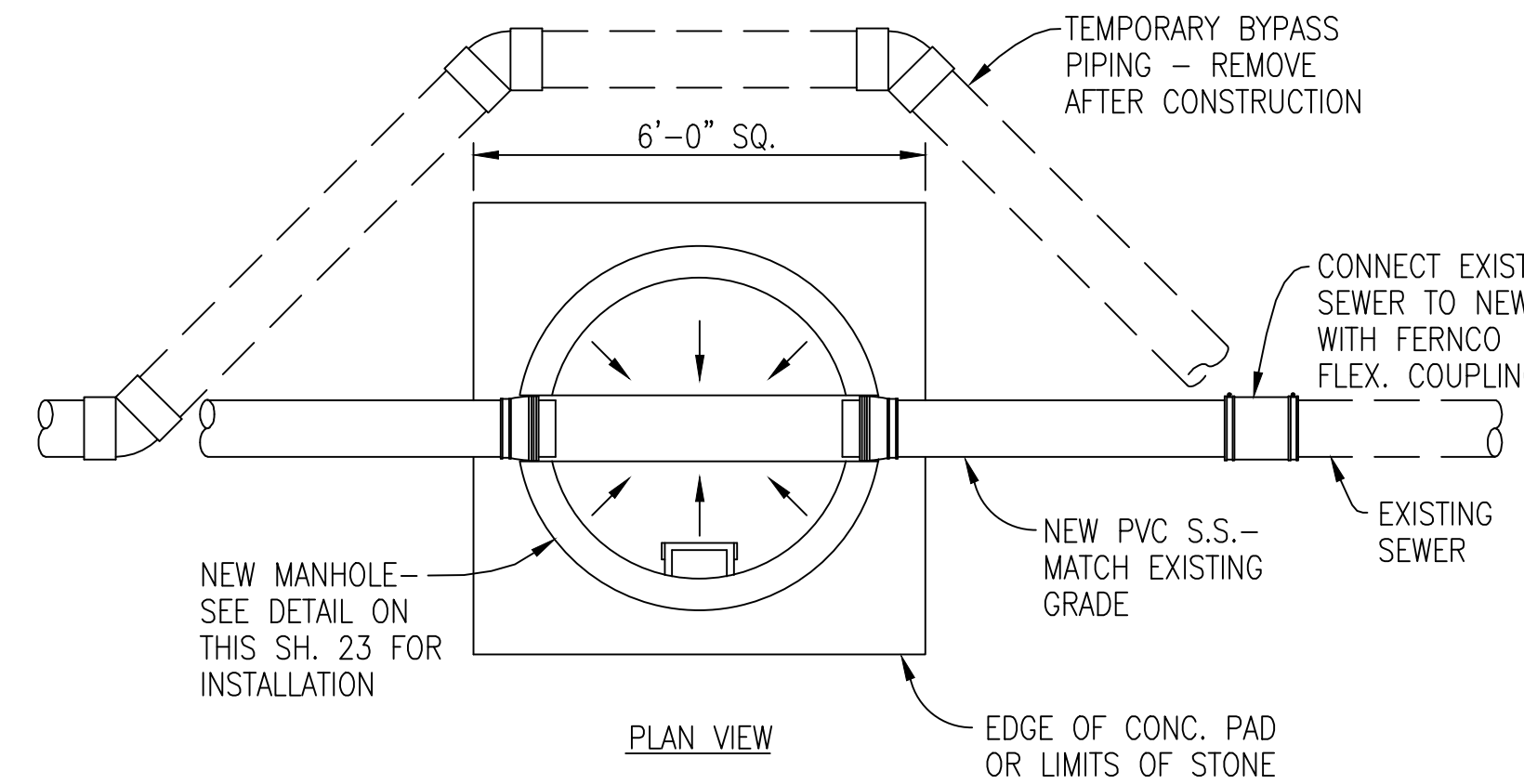


IN-LINE CLEANOUT (IN ROADWAY) NOT TO SCALE



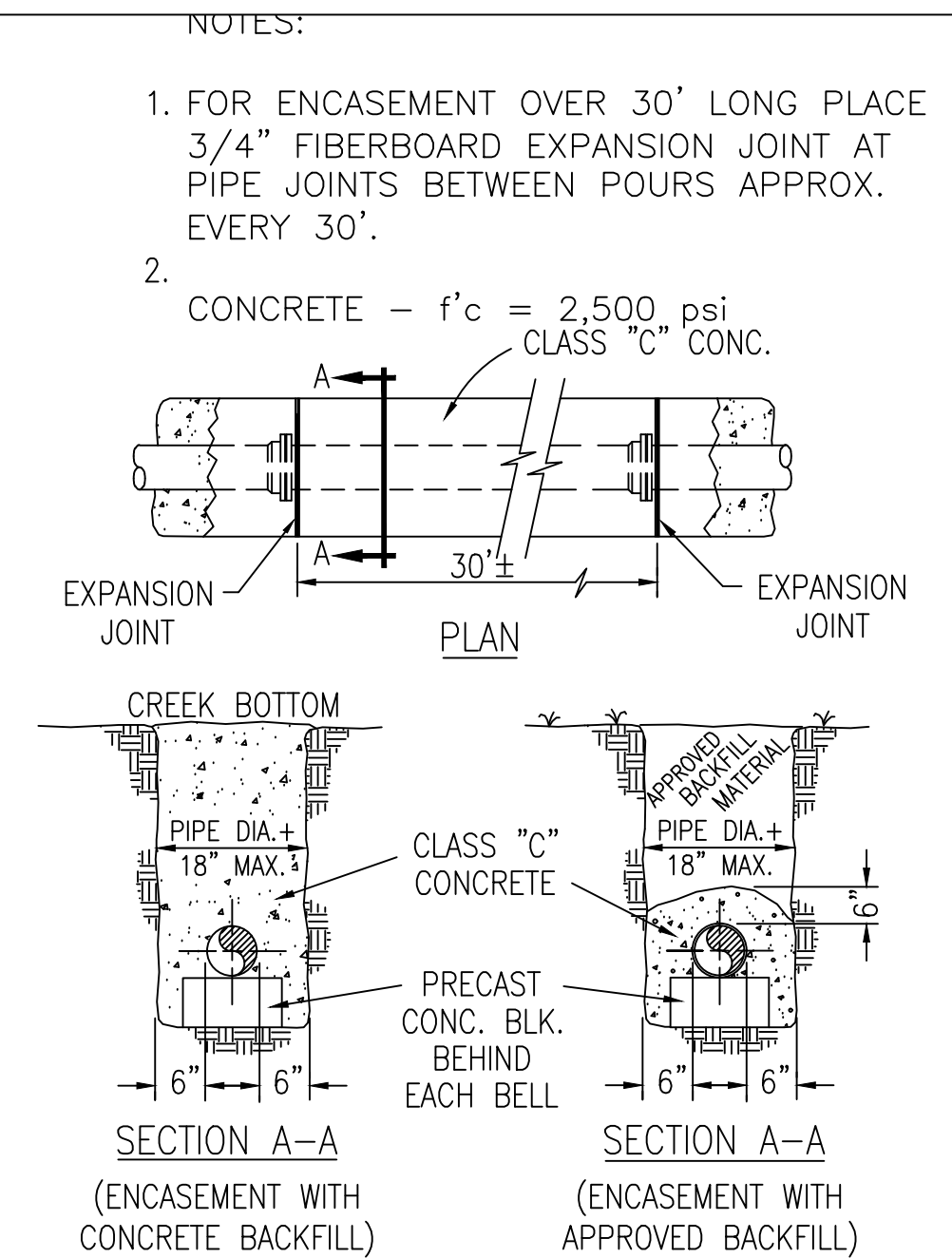
CONCRETE PAD @ MANHOLES IN GRAVEL DRIVE

NOT TO SCALE



M.H. CONSTRUCTION OVER EXISTING LINE

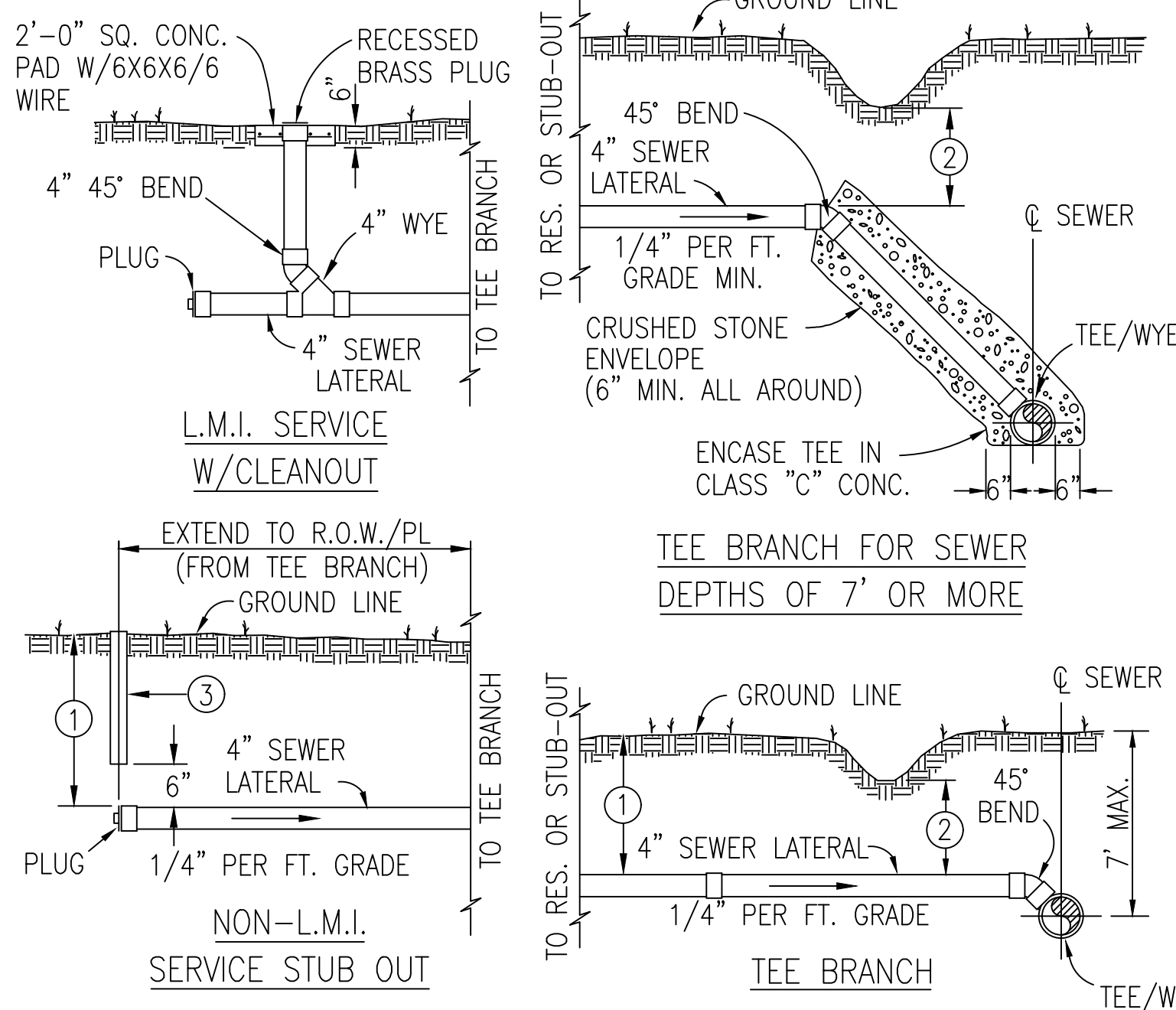
NOT TO SCALE



STANDARD CONCRETE ENCASEMENT

NOT TO SCALE

NOTE: EXTEND L.M.I. SERVICE LINE WITHIN 5' OF EXISTING L.M.I. RESIDENCE PLUMBING.

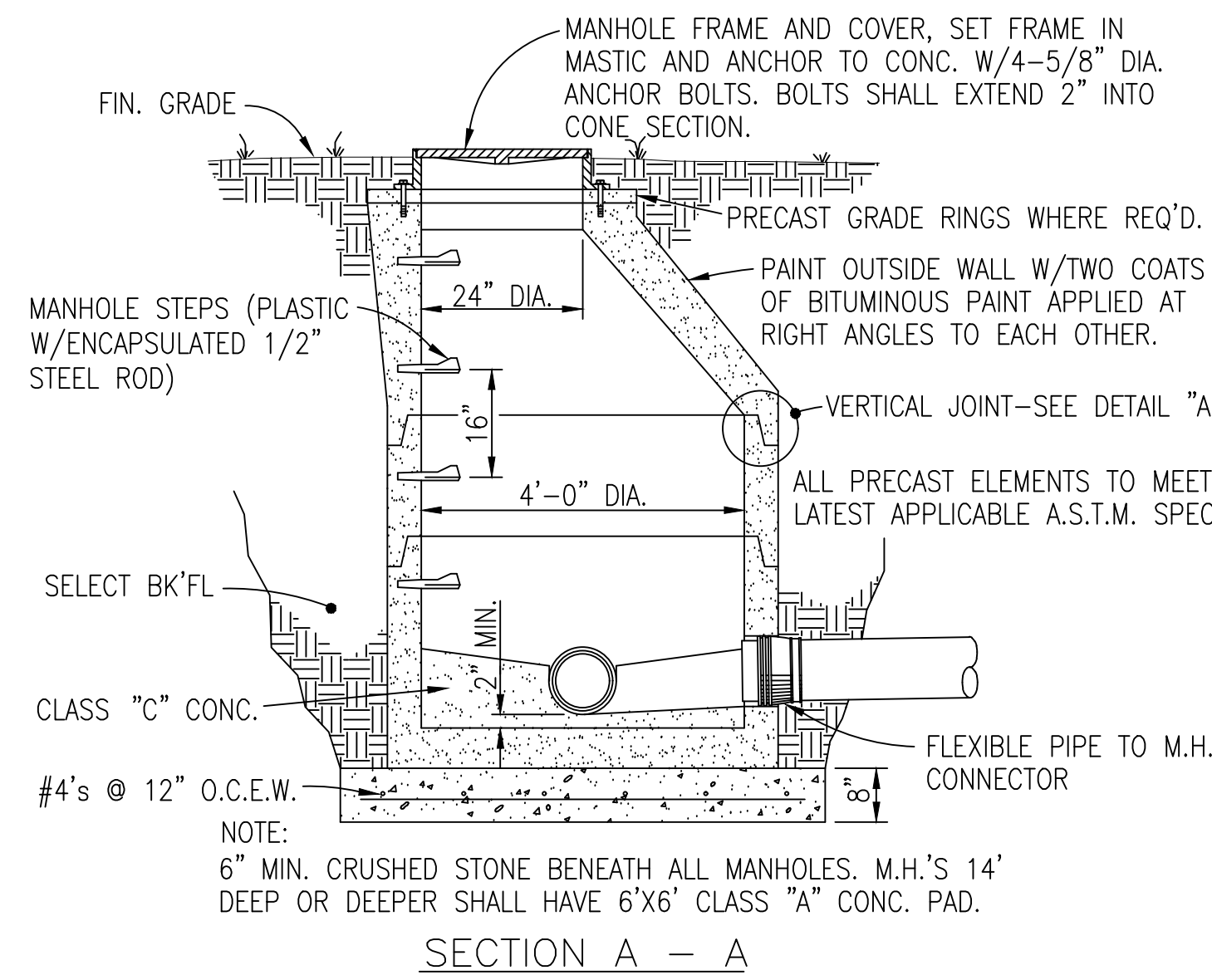


TEE BRANCH FOR SEWER DEPTHS OF 7' OR MORE

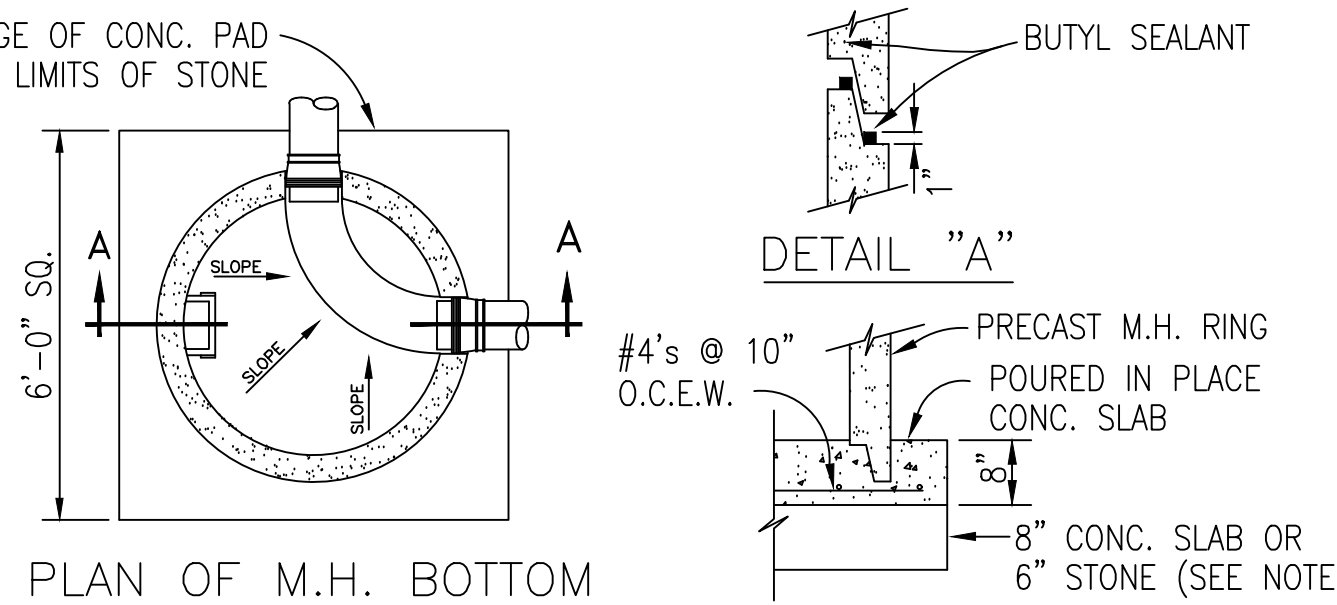
- DEPTH AS NECESSARY TO PROVIDE 18" COVER AT BUILDING LINE.
- 18" MIN. COVER AT DITCH CROSSINGS OR USE CONC. ENCASEMENT.
- SEWER MARKER SET FLUSH WITH GROUND - PRESSURE TREATED WOOD 2"x2" WITH LARGE HEAD TACK IN TOP OR METAL POST/PIPE.
- TEES ON MAIN LINE WILL BE PAID FOR AT THE CONTRACT UNIT PRICE PER EA. INSTALLED WITH NO DEDUCTION BEING MADE FROM THE MAIN LINE QUANTITY.
- SANITARY SERVICE LATERALS WILL BE PAID FOR AT THE CONTRACT UNIT PRICE FOR THE LENGTH OF STRAIGHT 4" SERVICE LINE AND THERE SHALL BE NO ADDITIONAL PAYMENT FOR MARKER, FITTINGS AND PLUG.
- PROPOSED CONNECTION POINT TO EXISTING PIPING SHALL BE FIELD DETERMINED.
- IF APPLICABLE, CUT AND CAP LINE TO EXIST. SEPTIC TANK, W/SEPTIC TANK TO BE ABANDONED.

SANITARY SEWER CONNECTIONS

NOT TO SCALE



SECTION A - A

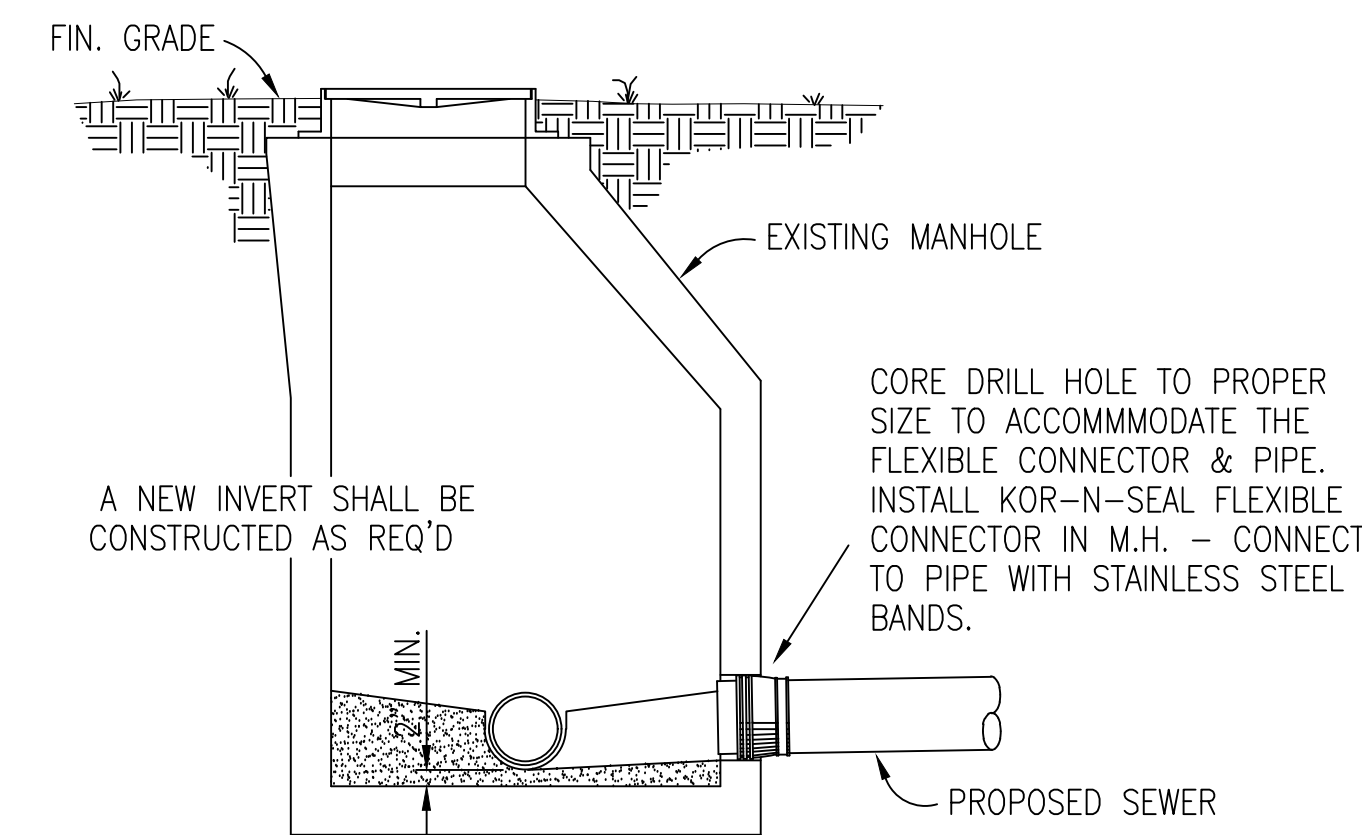


PLAN OF M.H. BOTTOM

ALT. M.H. BOTTOM

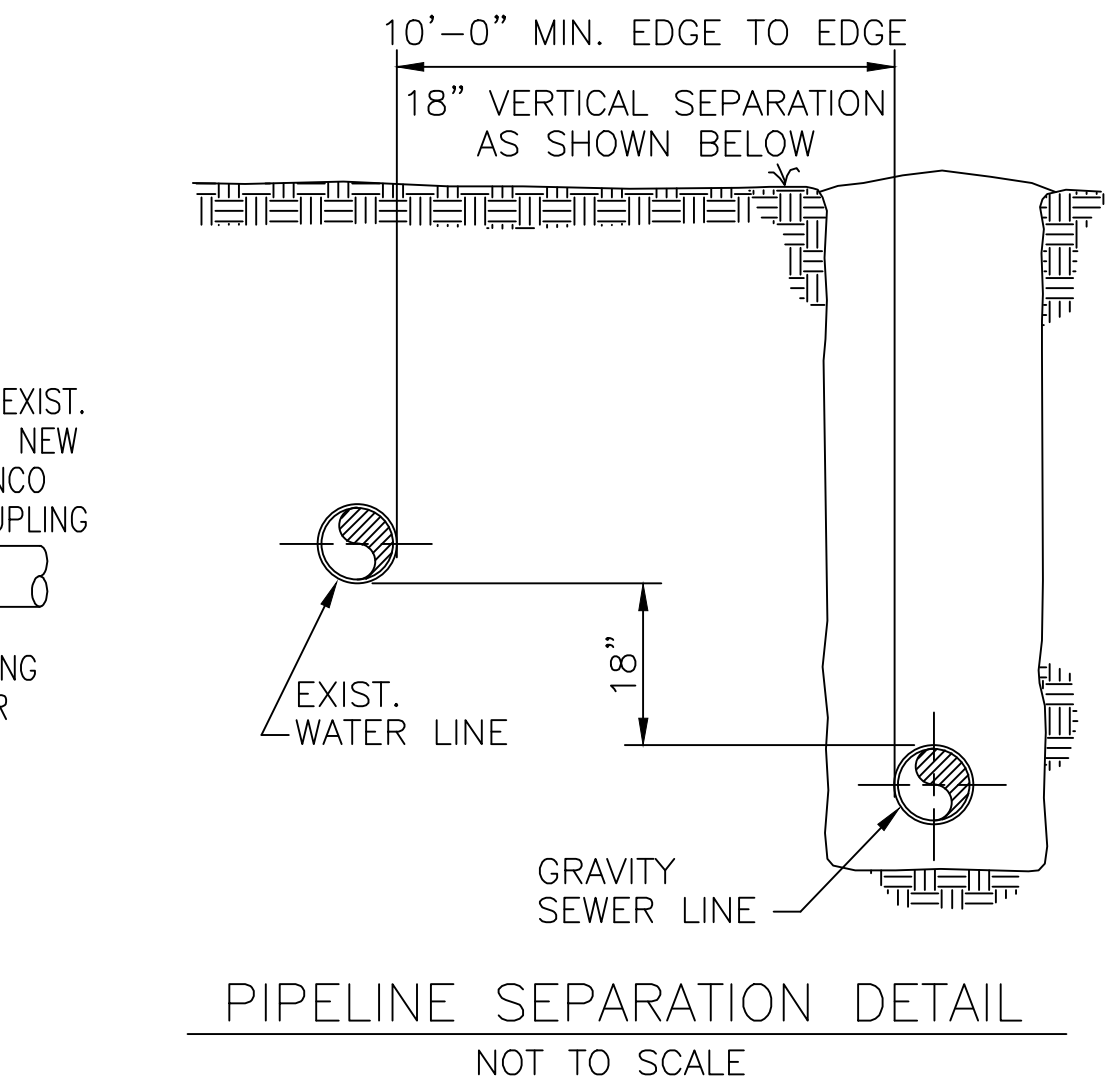
STANDARD MANHOLE

NOT TO SCALE



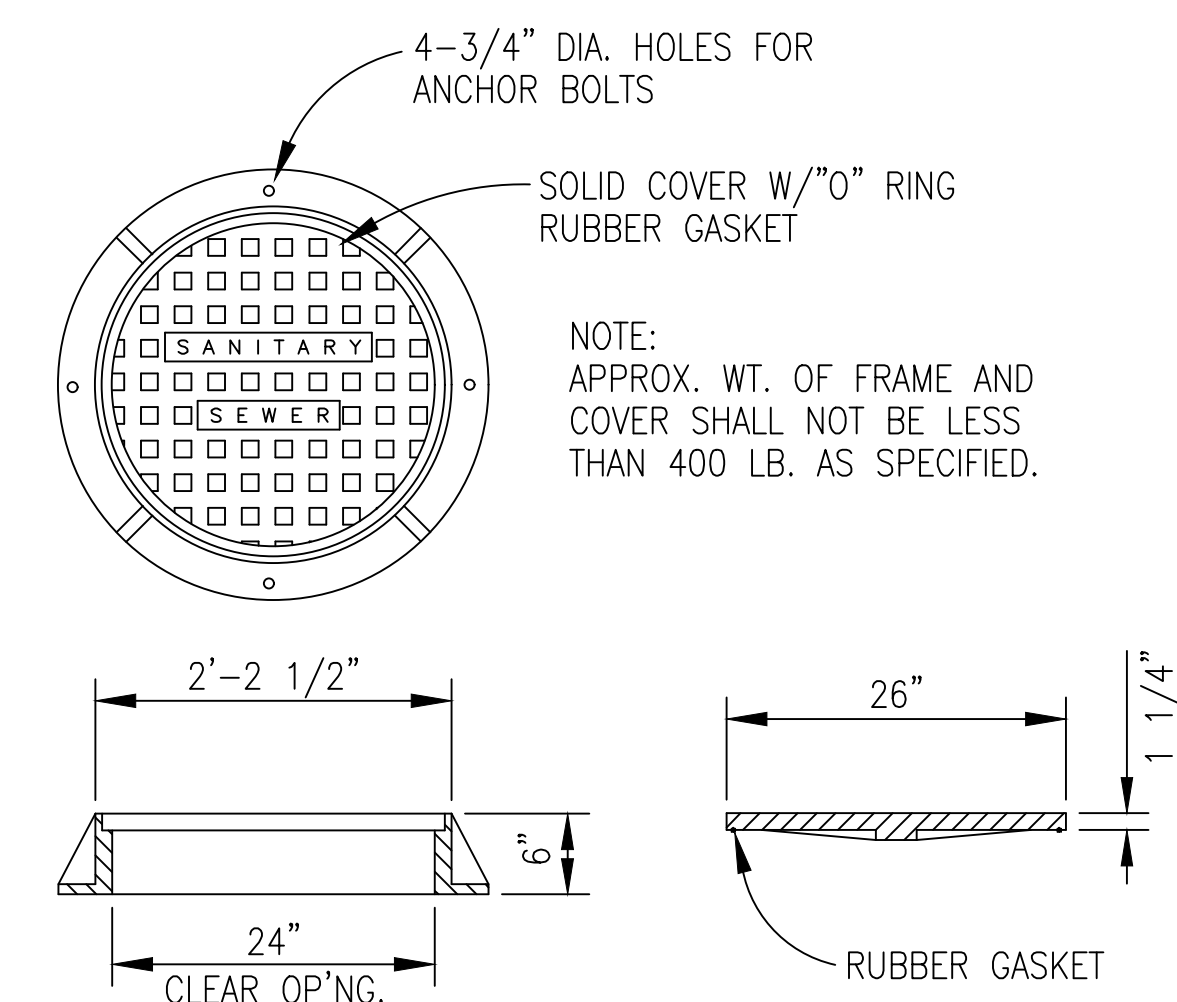
GRAVITY SEWER CONNECTION AT EXISTING MANHOLE

NOT TO SCALE



PIPELINE SEPARATION DETAIL

NOT TO SCALE

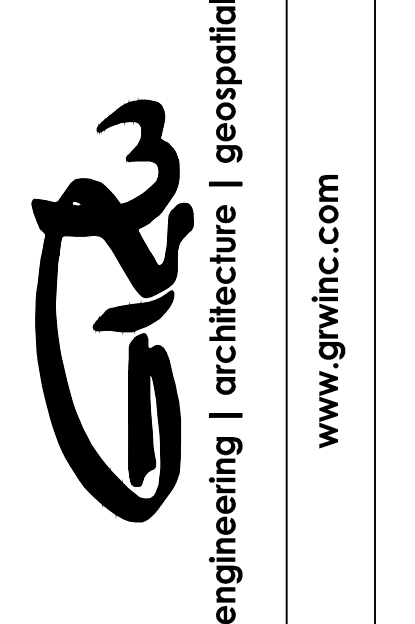


STANDARD MANHOLE FRAME & COVER

NOT TO SCALE



GRW PROJECT NO. 4798-10



STANDARD GRAVITY SEWER DETAILS

SEWER SYSTEM IMPROVEMENTS

TOWN OF OLIVER SPRINGS, TENNESSEE

NO.	DATE	BY	DESCRIPTION

DATE: JANUARY 2024
SCALE: NOT TO SCALE

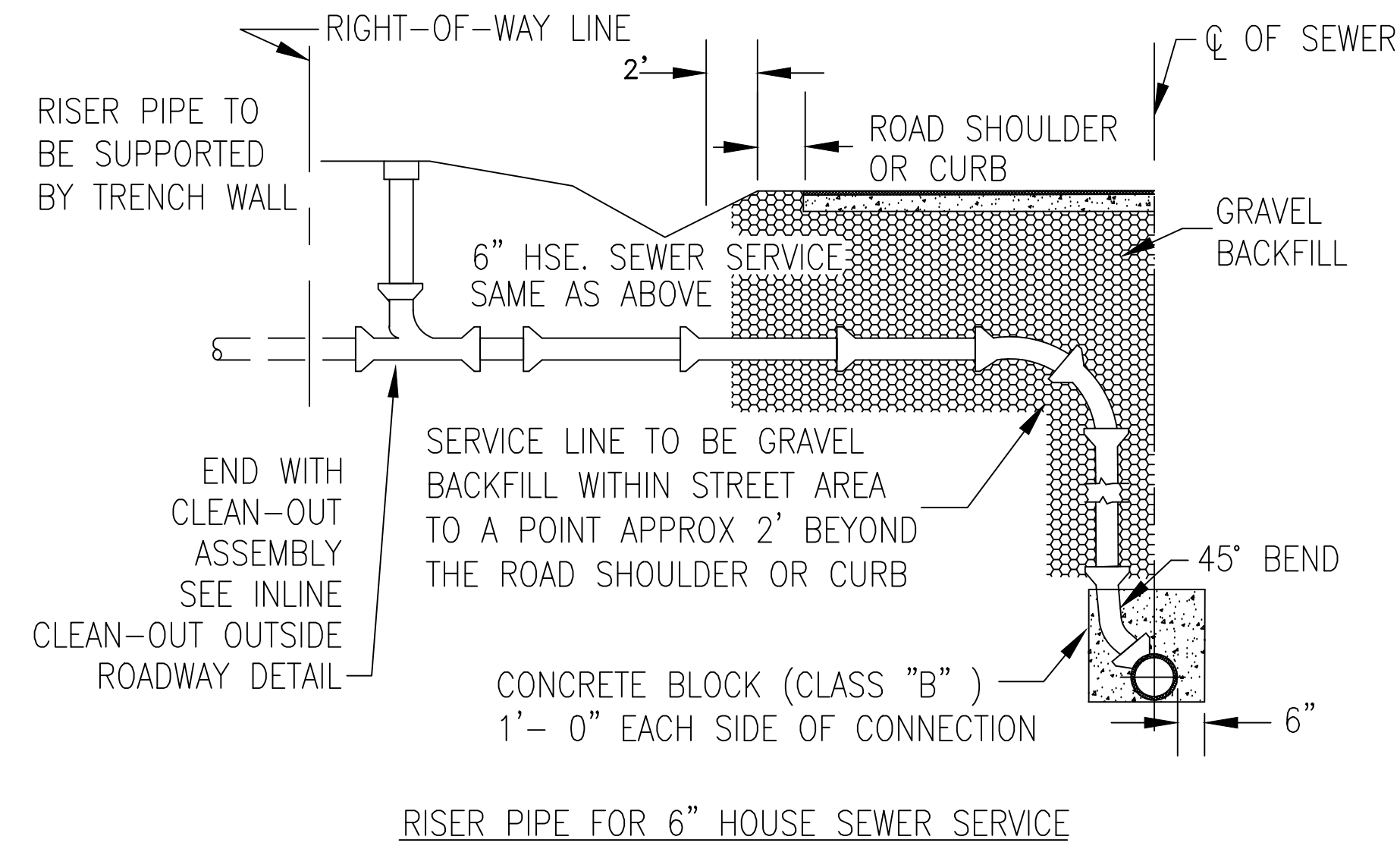
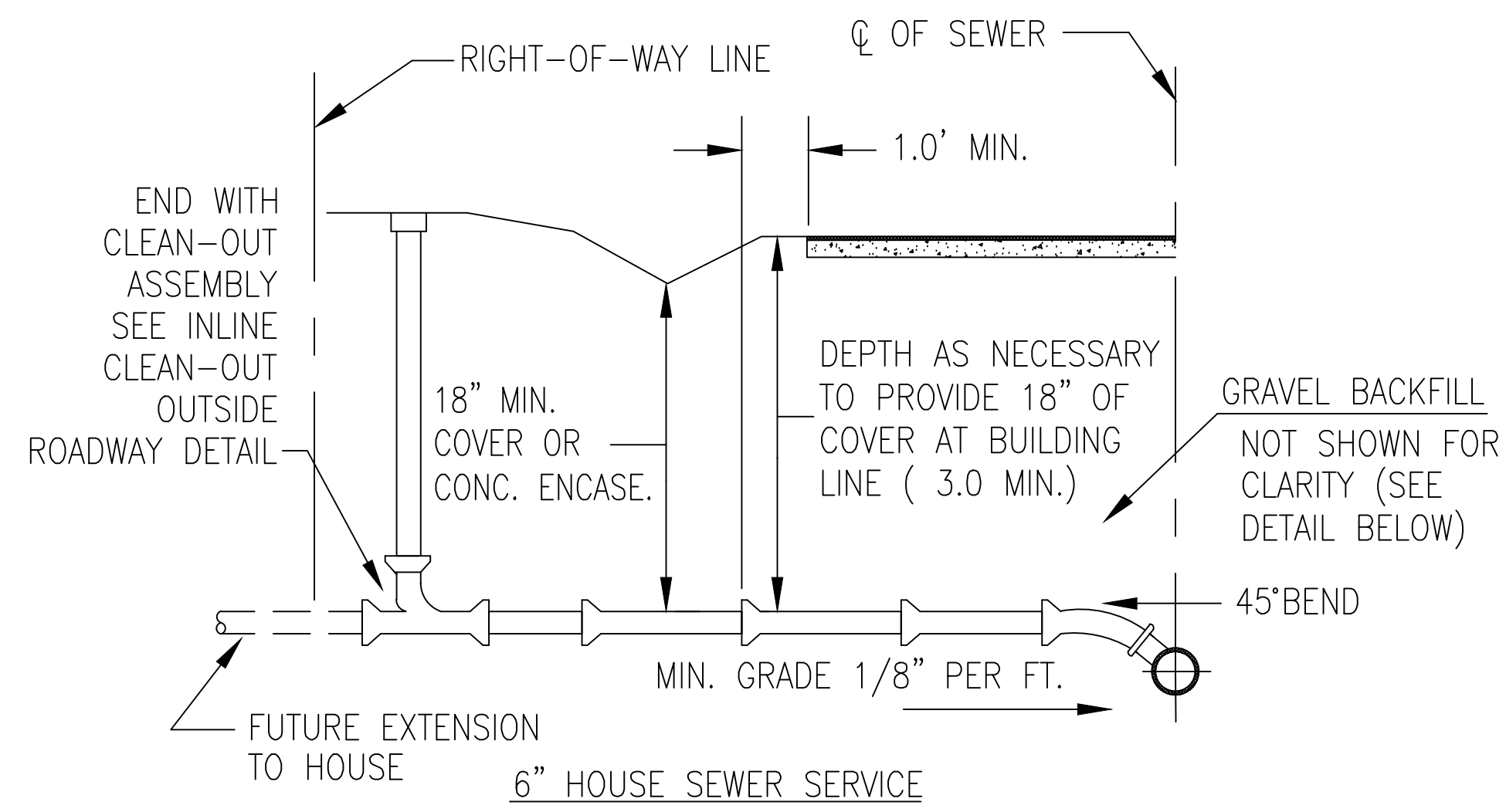
SHEET NO.

SD-02

PLOTTED BY: WAZAD

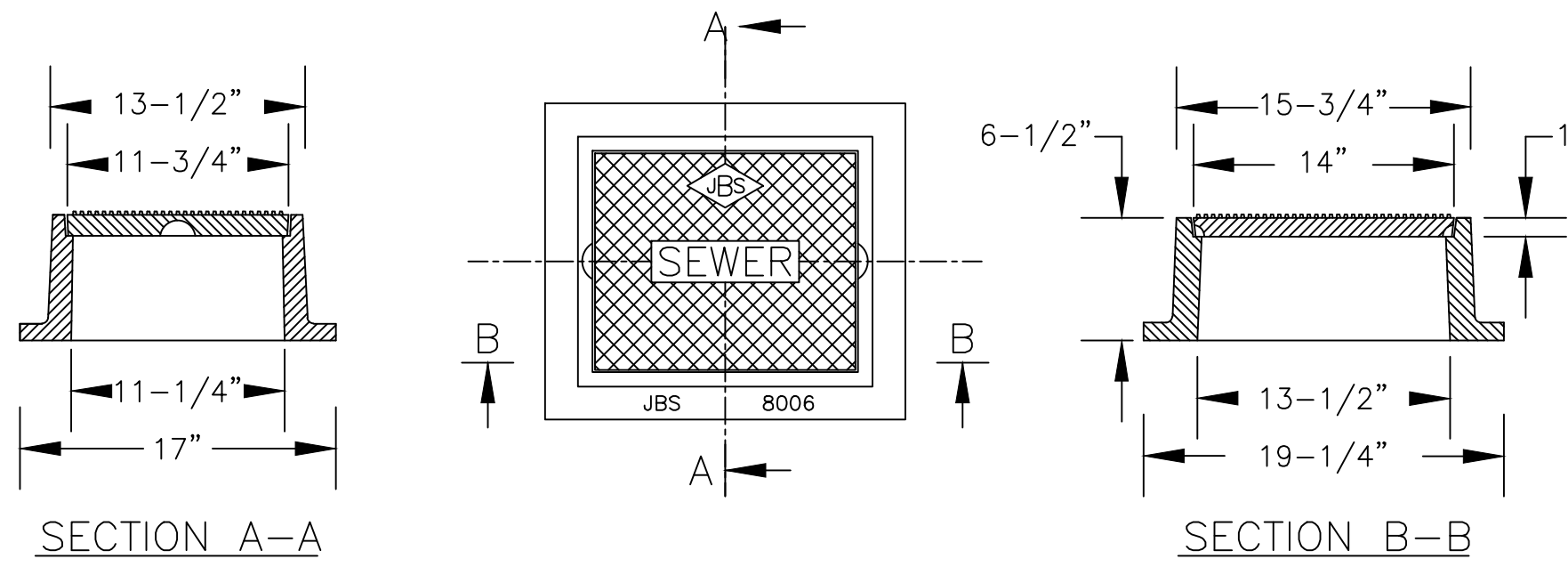
PRINTED: 3/18/2024 @ 2:07PM

FILE NAME: S:\796-Oliver Springs\10-OS ARPA Sewer Rehab\Working Drawings\AutoCAD\796-10_New Update_3-5-24_Sewer Rehab.dwg

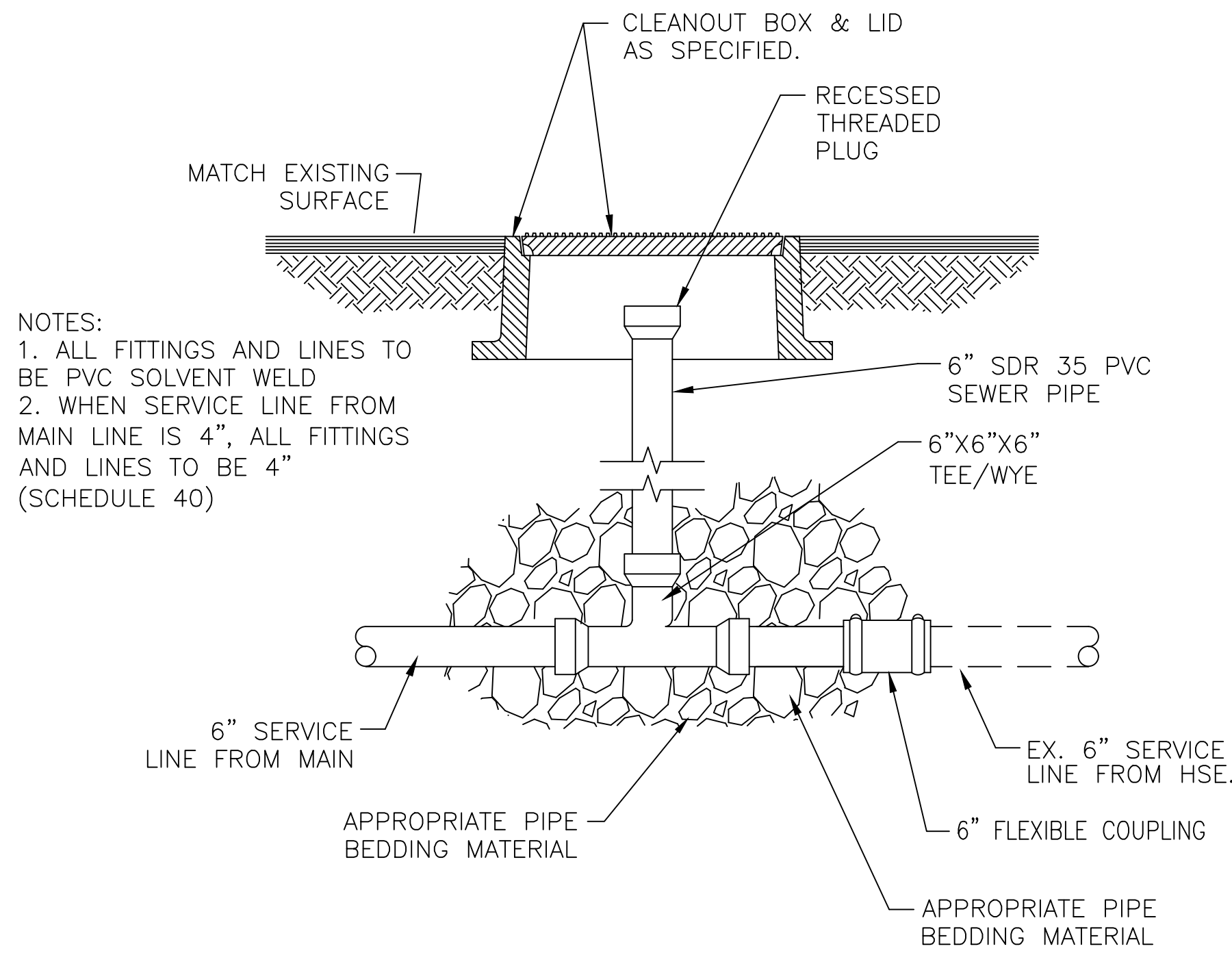


SERVICE REPAIR DETAIL

NOT TO SCALE

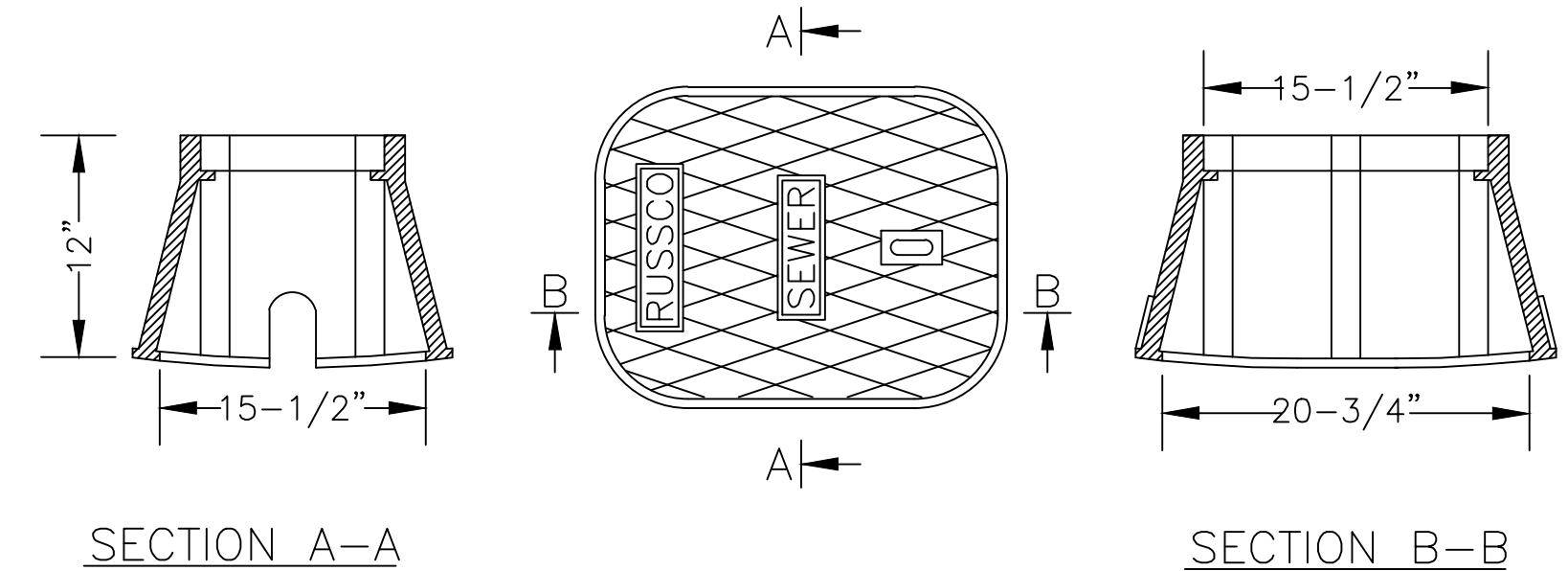


TRAFFIC BEARING CLEANOUT BOX

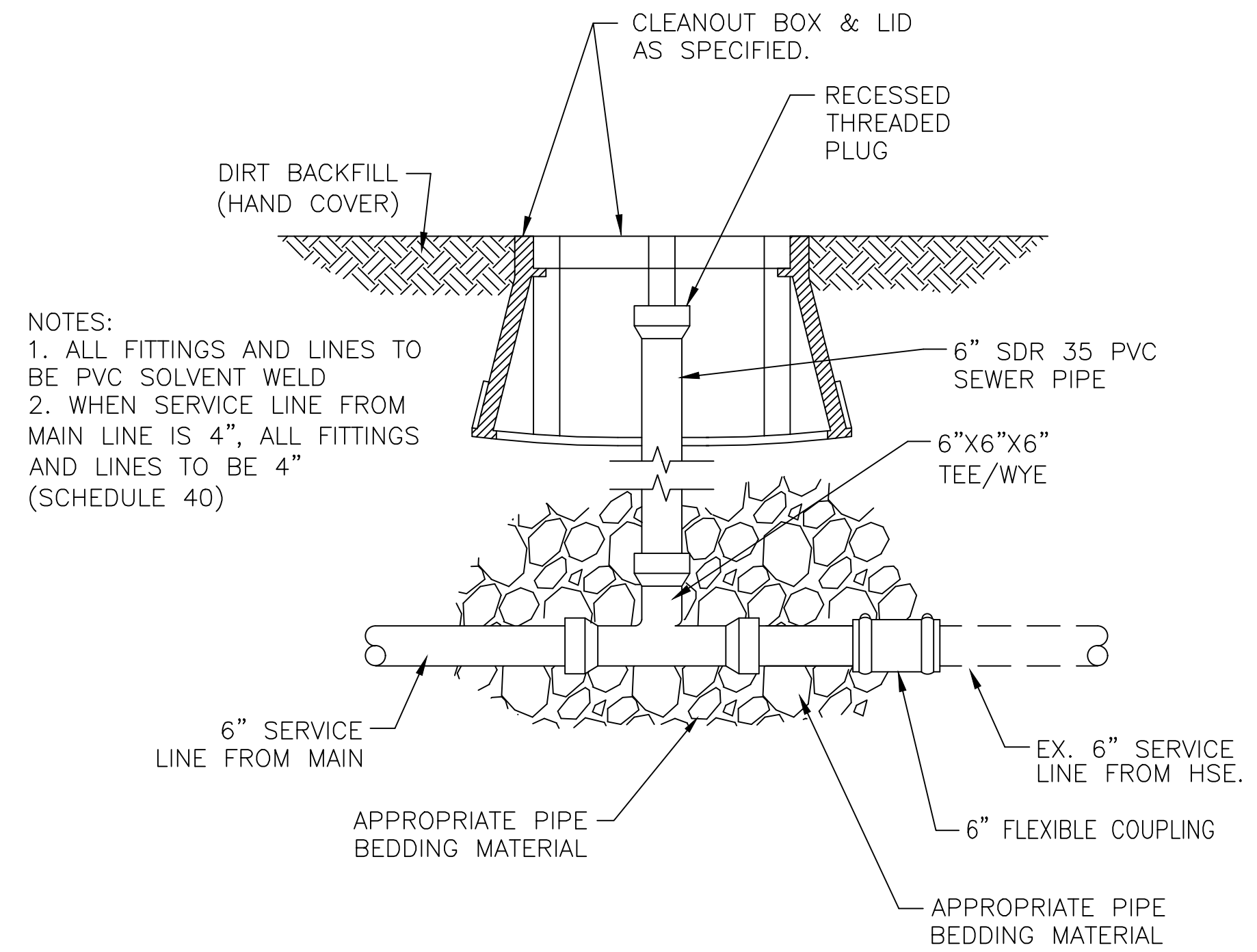


INLINE CLEAN-OUT IN ROADWAY

NOT TO SCALE



CLEANOUT BOX



INLINE CLEAN-OUT OUTSIDE ROADWAY

NOT TO SCALE



GRW PROJECT NO. 4798-10

engineering | architecture | geospatial

www.grwinc.com

STANDARD GRAVITY SEWER DETAILS

SEWER SYSTEM IMPROVEMENTS

TOWN OF OLIVER SPRINGS, TENNESSEE

NO.	REVISIONS DESCRIPTION	DATE	BY	DESIGNED	DRAWN	REVIEWED	APPROVED
				RGH	NA	RGH	JWH

SCALE CHECK: _____ THIS MARK SHOULD MEASURE EXACTLY 1" WHEN PLOTTED

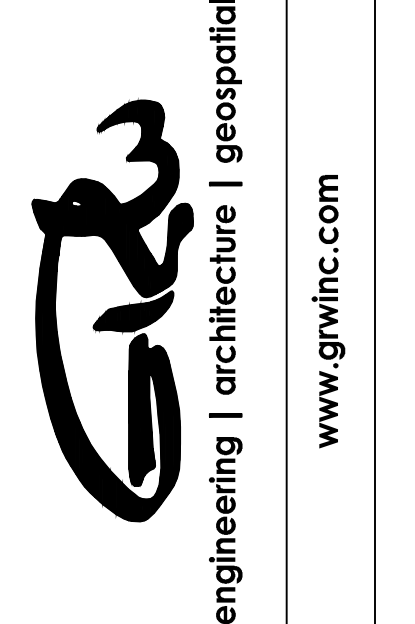
DATE: JANUARY 2024

SCALE: NOT TO SCALE

SHEET NO. SD-03



GRW PROJECT NO. 4798-10

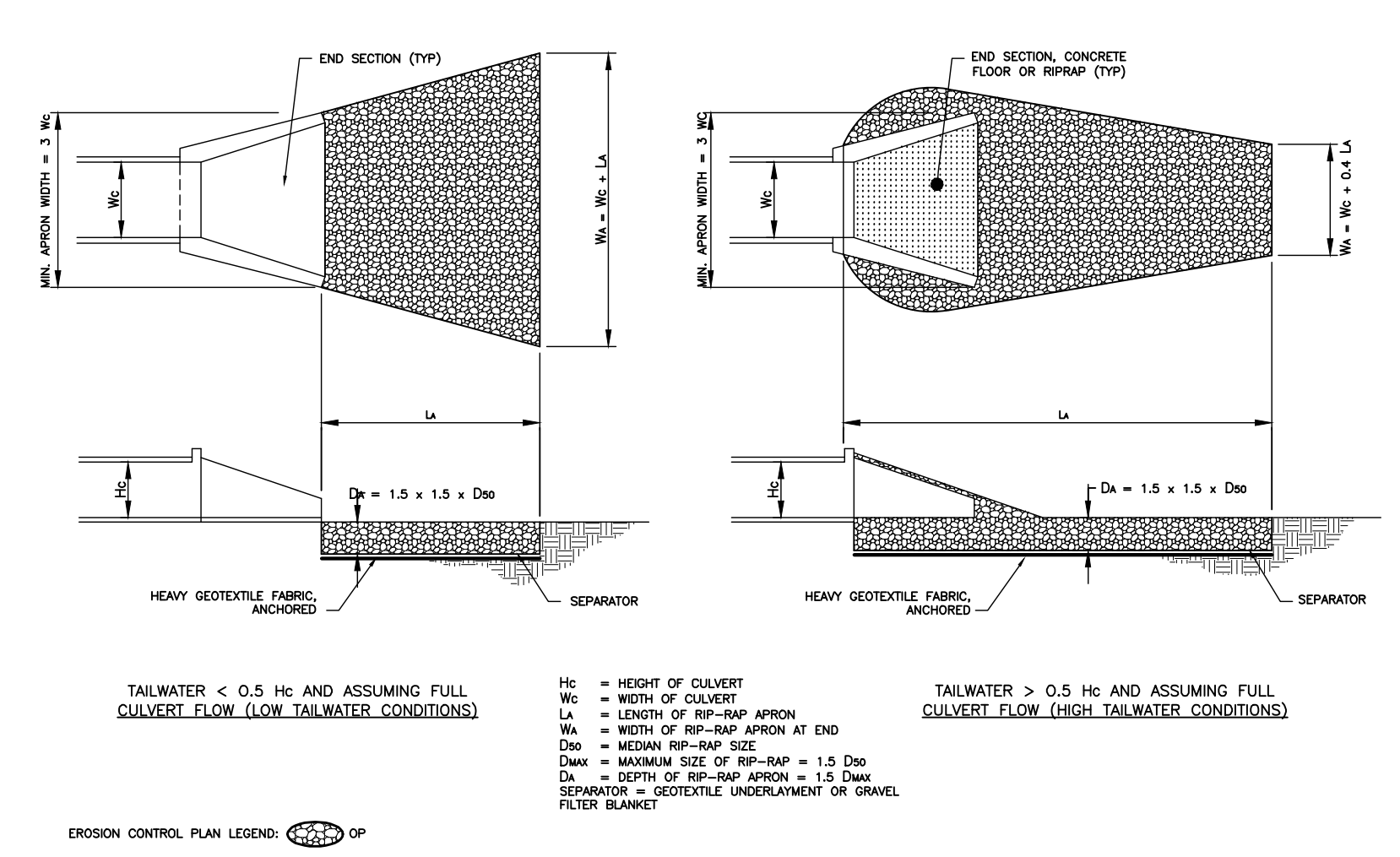
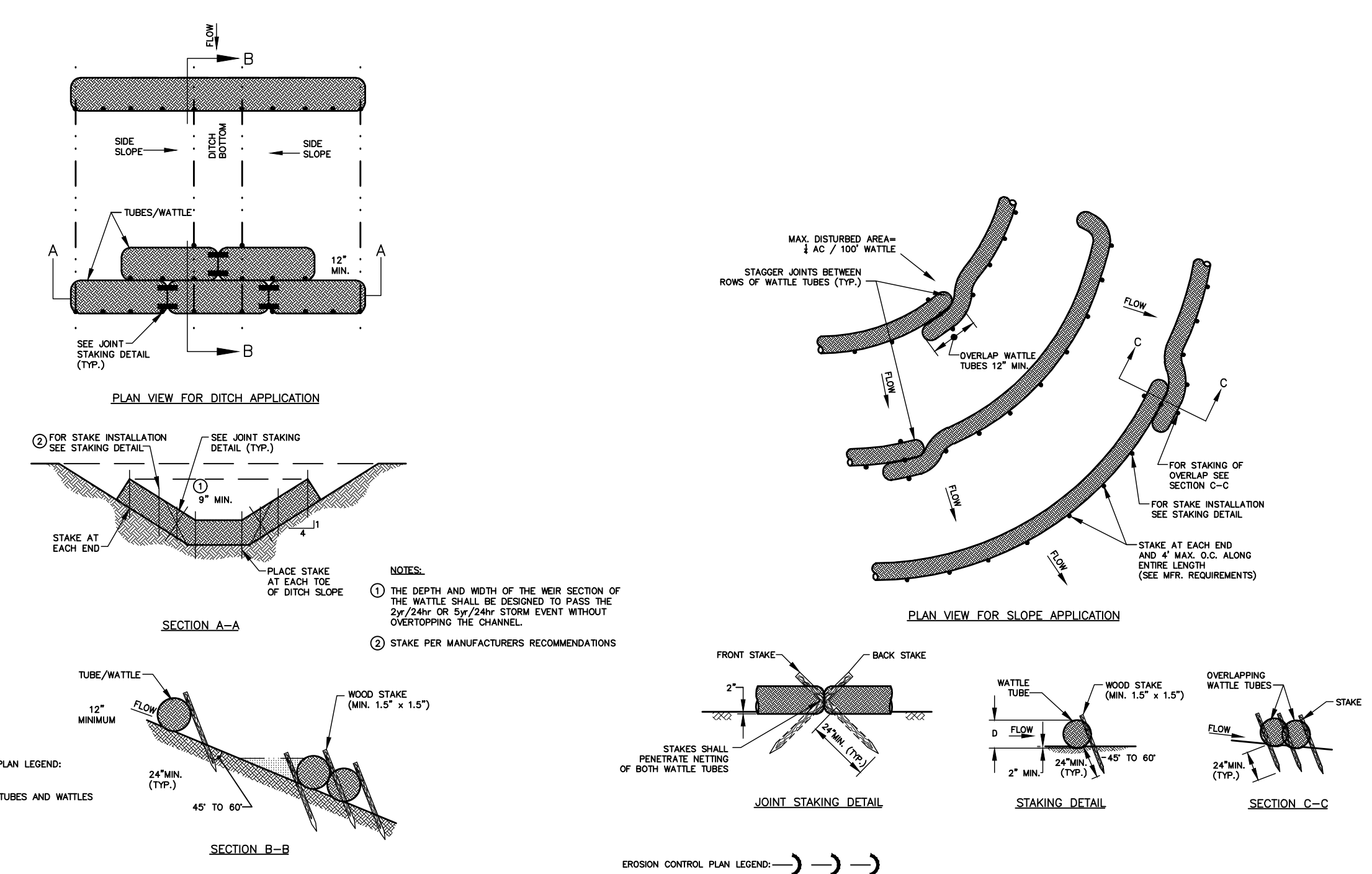
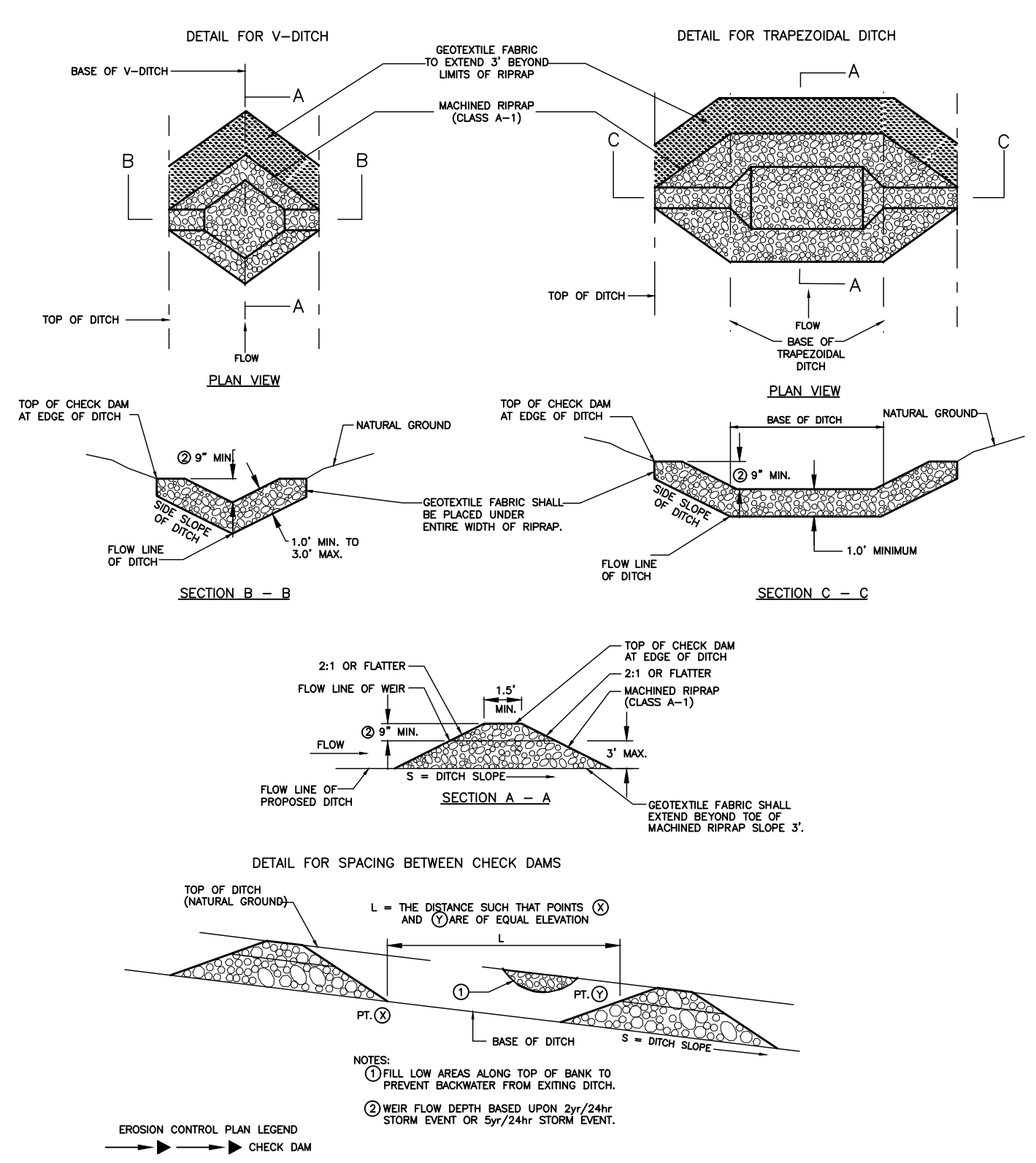
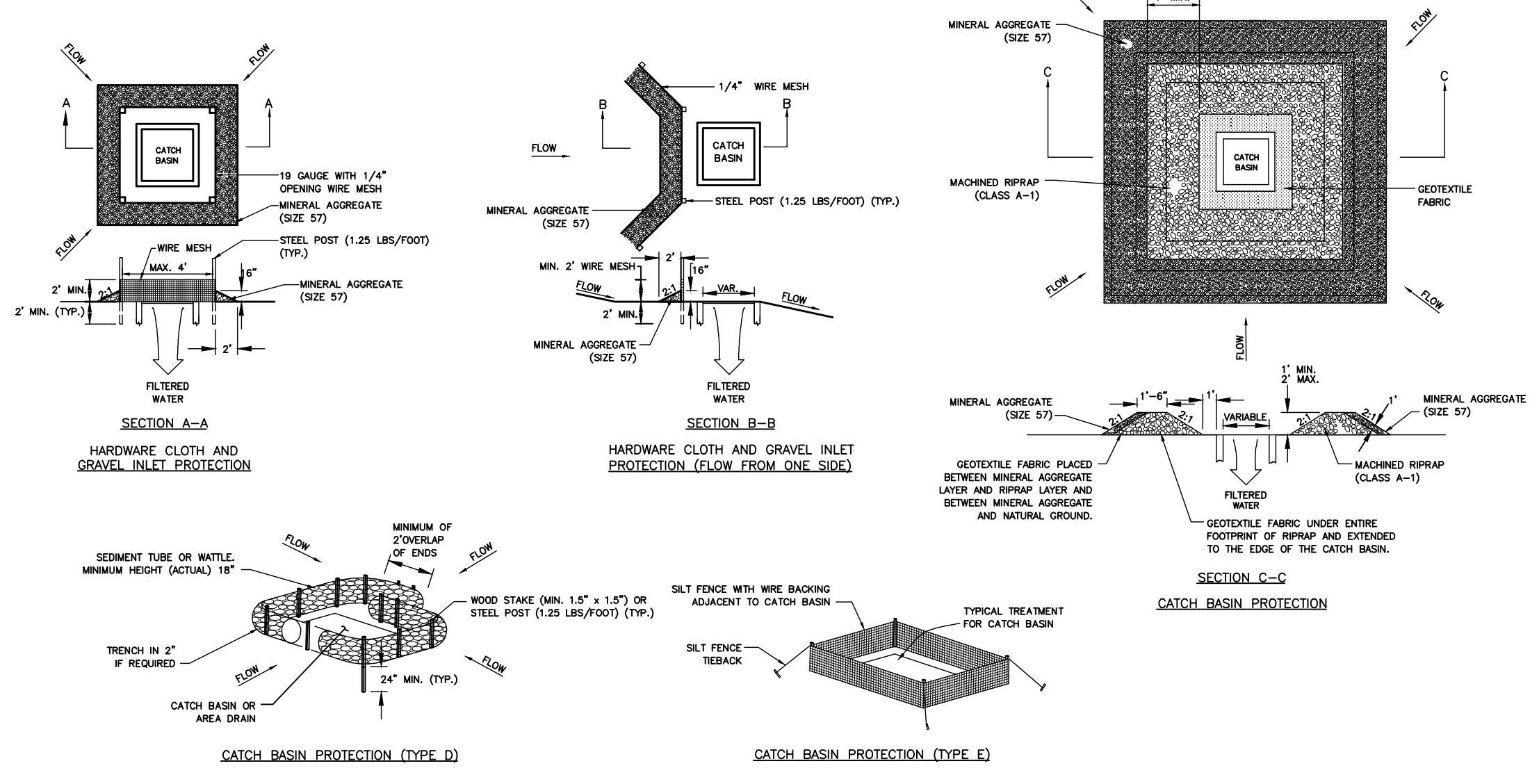
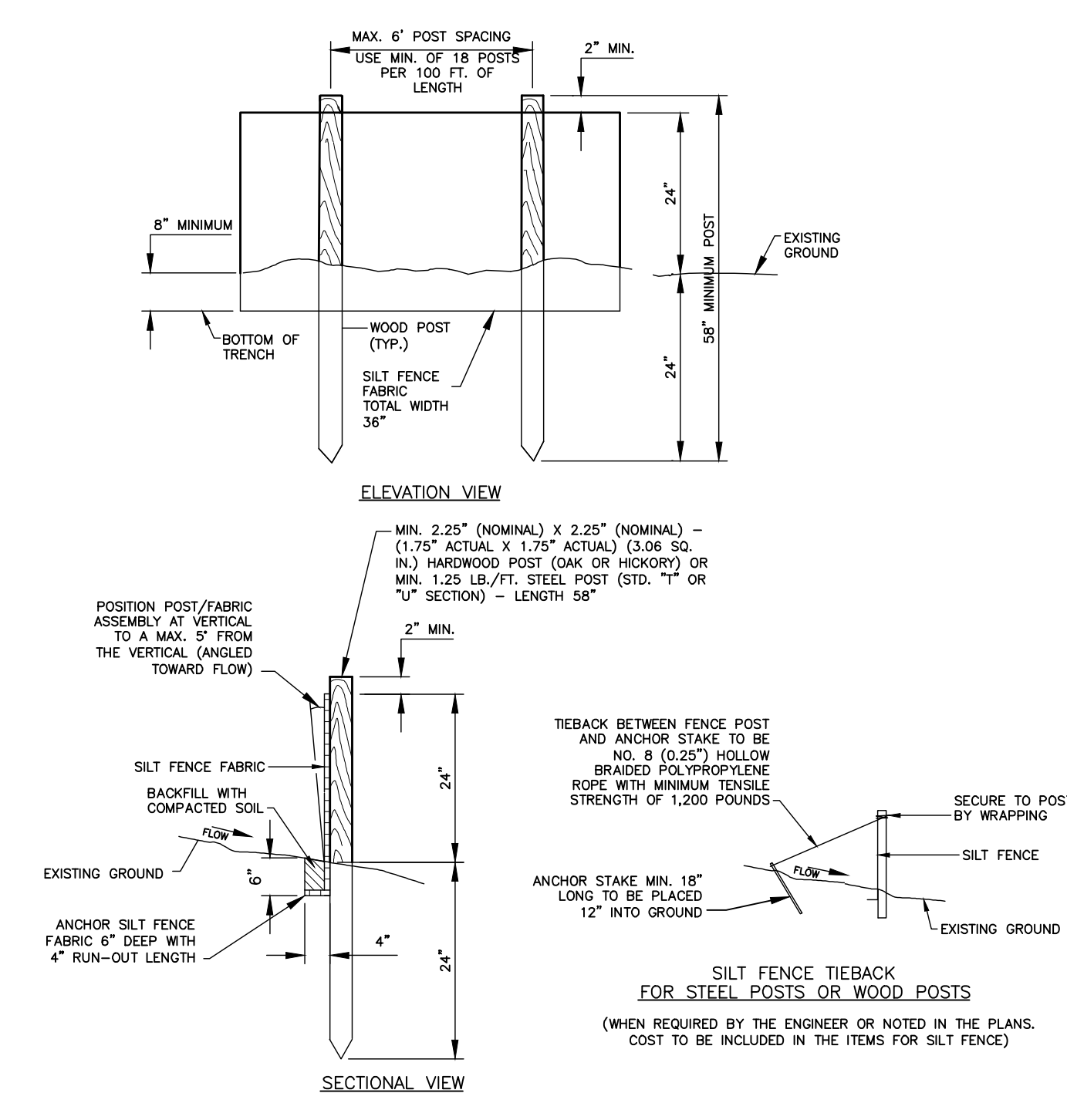


EROSION CONTROL DETAILS
SEWER SYSTEM IMPROVEMENTS
TOWN OF OLIVER SPRINGS, TENNESSEE

DESIGNED:		DRAWN:		REVIEWED:		APPROVED:	
RGT		NA		RGT		JWH	
NO	NO	NO	NO	NO	NO	NO	NO

DATE: JANUARY 2024
 SCALE: NOT TO SCALE
 SHEET NO.

EC-01



- EROSION & SEDIMENT CONTROL NOTES**
- ALL WORK SHALL BE DONE IN ACCORDANCE WITH THE STORM WATER POLLUTION PREVENTION PLAN (SWPPP).
 - NO WORK MAY PROCEED UNTIL A NOTICE OF COVERAGE (NOC) HAS BEEN ISSUED BY THE STATE OF TENNESSEE DEPARTMENT OF ENVIRONMENT AND CONSERVATION.
 - THE SWPPP SHALL BE AVAILABLE AT THE SITE FOR REVIEW AT ALL TIMES.
 - AT A MINIMUM, THE CONTRACTOR SHALL INSTALL SILT FENCE ON THE DOWNHILL SIDE OF THE PROPOSED CONSTRUCTION AREA.
 - CONTRACTOR SHALL PROVIDE DITCH CHECKS AS REQUIRED.
 - CONTRACTOR SHALL FURNISH AND INSTALL TEMPORARY EROSION CONTROL BLANKET/MATting ON ALL SLOPES GREATER THAN 4:1 UNLESS NOTED OTHERWISE.
 - ALL AREAS TO REMAIN BARE MORE THAN 15 DAYS SHALL BE TEMPORARILY STABILIZED IN ACCORDANCE WITH THE CURRENT BEST MANAGEMENT PRACTICES (BMPs).
 - TDEC REGULATIONS REQUIRE THAT STABILIZATION MEASURES BE INITIATED WITHIN 7 DAYS AFTER CONSTRUCTION OR LAND DISTURBANCE ACTIVITIES HAVE BEEN TEMPORARILY OR PERMANENTLY TERMINATED.
 - THE ONLY EXCEPTIONS, FOR NOTE 8, ARE FOR CASES WHERE SNOW COVER, FROZEN GROUND, OR EXCESSIVELY WET CONDITIONS PRECLUDE INITIATION OF STABILIZATION OR WHERE LAND DISTURBANCE ACTIVITIES WILL BE RESUMED ON THAT PORTION OF THE SITE WITHIN 15 DAYS.
 - EROSION CONTROL MEASURES SHALL BE CHECKED AND REPAIRED IF NECESSARY AT LEAST TWICE EACH CALENDAR WEEK IN ACCORDANCE WITH THE SWPPP.
 - ALL EROSION CONTROL MEASURES UTILIZED WITHIN STATE OF TENNESSEE ROW'S SHALL MEET OR EXCEED THE TDOT REQUIREMENTS.
 - EROSION AND SEDIMENT CONTROL MEASURES AND STRUCTURES SHALL BE INSPECTED TWICE A WEEK 72 HOURS APART.

FILE NAME: S:\4798-Oliver Springs\10-OS ARPA Sewer Rehab\Working Drawings\AutoCAD\4798-10_SD-04.dwg
 PRINTED: 3/19/2024 @ 5:05PM
 PLOTTED BY: INazad